

System PZ for profile cylinder



Lever locks and Glass door locks

Article 7480, 7481, 7482

Metal cam lock; only suitable for profile half cylinders with adjustable locking nose, length of cylinder on side A: 29,5-32,5mm

Cam movement on page 05.02

Cam types on page 05.02

7480 key removable in open and closed position

7481 key removable only in locked position

7482 key removable in open or closed position, depending on the position of the locking nose

Article 2603



Metal adapter transforms 7480, 7481 and 7482 into a glass door lock

Additional information

Measurements for article 2616, 2617 and 2618 on page 16.17

7480 + 7481 + 7482 accessories (included)

1 x 2615 Castle nut page 16.16
1 x 2640 Cam page 05.13

1 x 9990.00003 Allen key

7480 + 7481 + 7482 accessories (excluded)

1 x 3351 Profile half cylinder page 03.10

1 x 9990.00002 Hook wrench for lock nut

2603 accessories (included)

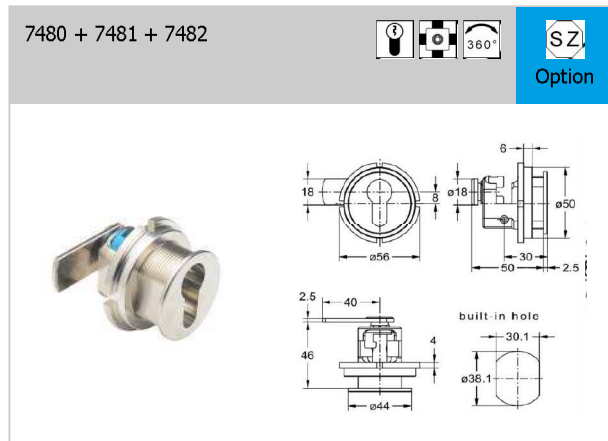
1 x 2616 Hole nut page 16.16

1 x 2617 Tube nut page 16.16

1 x 2618 Spacer washer page 16.16

2603 accessories (excluded)

1 x 9990.00001 Hook wrench for hole nut



article-no.	description	function	Lever movement	dead bolt movement	thickness	pack.	stock
7480.00002	Lever lock	without forced closing	1 - 8	90°	1 - 23 mm	1 pcs	
7481.00002	Lever lock	with forced closing	1 - 8	90°	1 - 23 mm	1 pcs	
7482.00002	Lever lock	with and without forced closing	1 - 8	180°	1 - 23 mm	1 pcs	
2603.00002	Glass door lock	depending on lever lock	1 - 8	depending on lever lock	4 - 13 mm	1 pcs	

System PZ for profile cylinder

Central locking devices for frontside mounting



Article 7490

Metal central lock; for operating **blum** drawer system; central lock for "Container" (unilateral), only appropriate for adjustable profile half-cylinders; length of profile cylinder 29,5-32,5mm on side A

7490 accessories (included)

1 x 2615 Castle nut

page 16.16

1 x 2618 Spacer washer

page 16.16

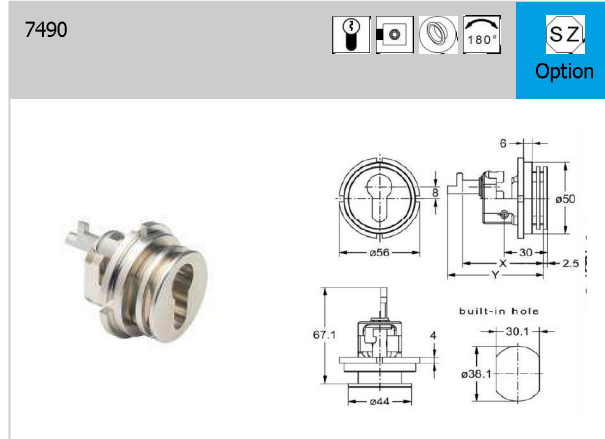
7490 accessories (excluded)

1 x 3351 Profile half cylinder

page 03.10

Additional information

Calculation tool for mounting on www.junie.de



article-no.	swing direction	function	finish	system	thickness	dimension X	dimension Y	pack.stock
7490.55102	right	with and without forced closing	nickel plated	Legrabox/Tandem/Movento	19 + 22 mm	55,5 mm	66 mm	1 pcs
7490.62102	right	with and without forced closing	nickel plated	Tandembox/Intivo/Antaro	19 + 22 mm	62,5 mm	73 mm	1 pcs