



Mortise type and surface mounted locks

Article 1571

latch locks, mortise type metal; bolt and 8mm square metal nickel plated

Article 1581

latch locks, mortise type, metal; latch and 8mm square made of fiberglass reinforced plastic

Article 1593

latch locks, surface mounted, metal; latch and 8mm square made of fiberglass reinforced plastic; with centering sleeves and rose matt nickel plated

Article 7408

dead locks, surface mounted, metal; bolt and 8mm square metal nickel plated

1571 accessories (included)

1 x 2544 Strike plate

page 15.25

1581 accessories (included)

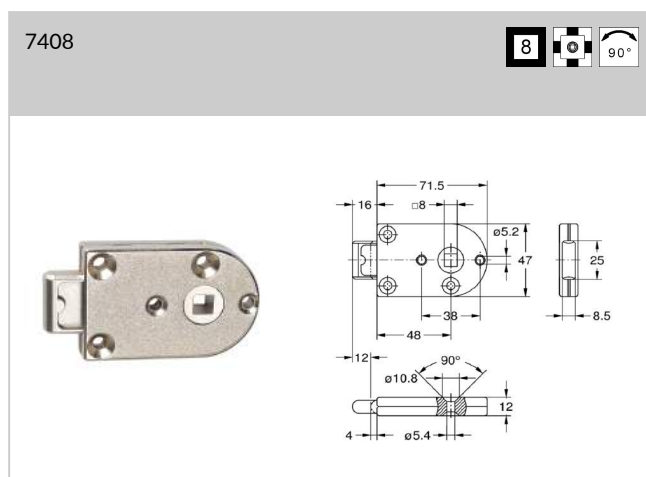
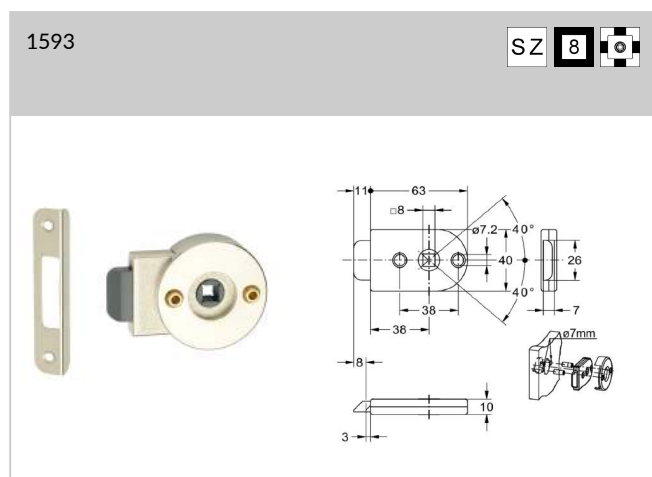
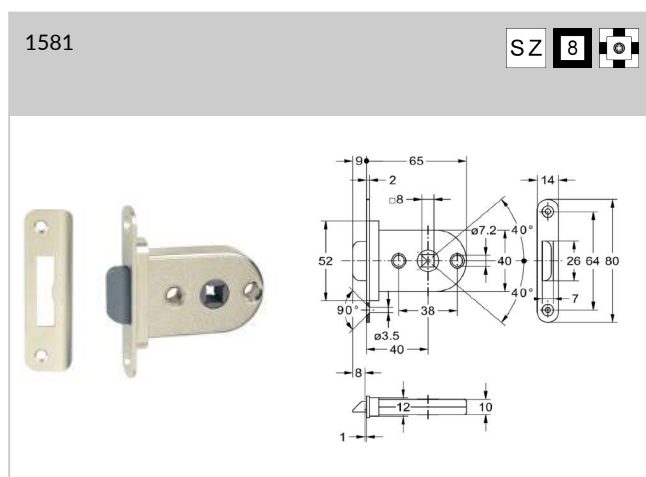
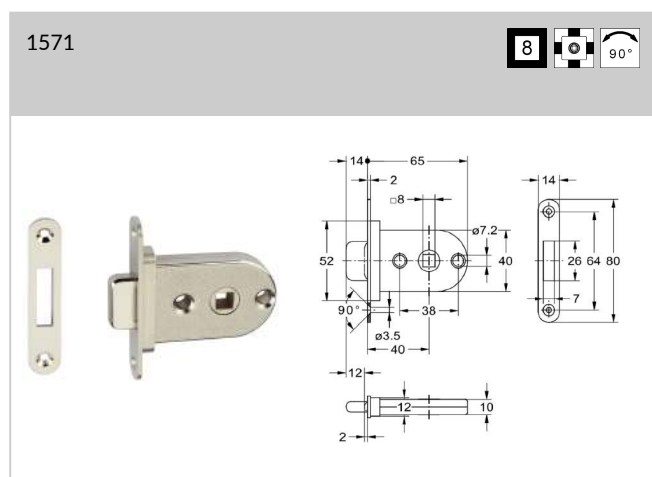
1 x 2528 Strike plate

page 15.23

1593 accessories (included)

1 x 2529 Strike plate

page 15.22
15.25



article-no.	backset	finish	pack.	stock
1571.40002	40 mm	nickel plated	10 pcs	
1581.40002	40 mm	nickel plated	10 pcs	
1593.38002	38 mm	nickel plated	10 pcs	
7408.20/55/34/4	52 mm	nickel plated	10 pcs	

Mortise type and surface mounted locks

Article 1572

dead lock, mortise type, metal; slide bolt and 8mm square metal nickel plated; with centering sleeves and rose mat nickel plated

Article 1573

dead lock, mortise type, metal; slide bolt and 8mm square metal nickel plated; with WC-set

Article 1583

latch lock, mortise type, metal; latch and 8 mm square made of fiberglass reinforced plastic; complete with door handle (stainless steel mat) and fixing rose

Article 1594

latch lock, surface mounted, metal; latch and 8 mm square made of fiberglass reinforced plastic; complete with door handle (stainless steel mat) and fixing rose; with centering sleeves and rose mat nickel plated

1572 accessories (included)

1 x 2529 Strike plate

page 15.22
15.25

1573 accessories (included)

1 x 2544 Strike plate

page 15.25

1 x WC-set

1 x Square pin

1583 accessories (included)

1 x 2528 Strike plate

page 15.23

1 x Door handle

1 x Square pin

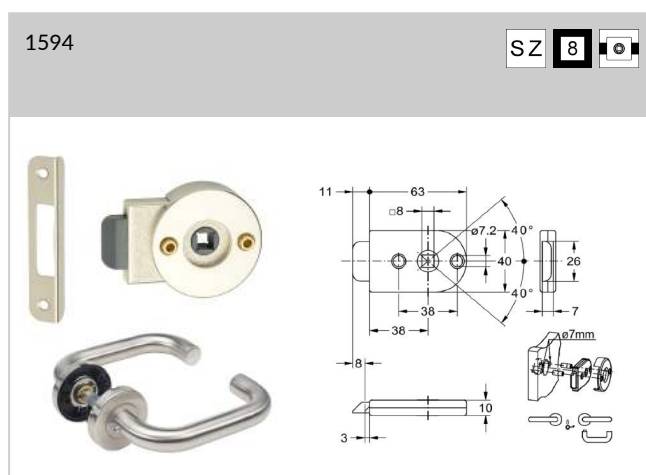
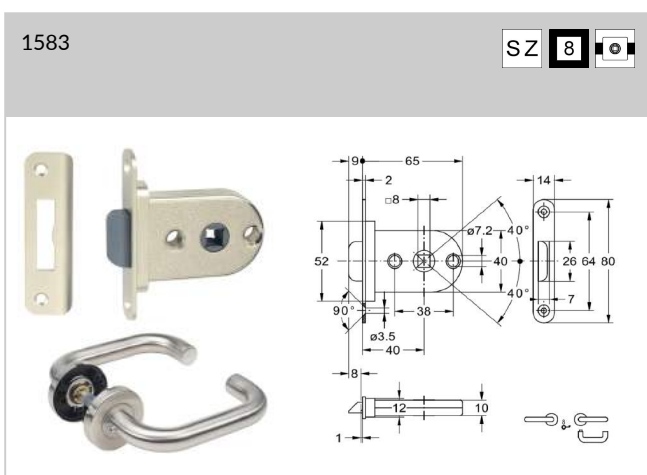
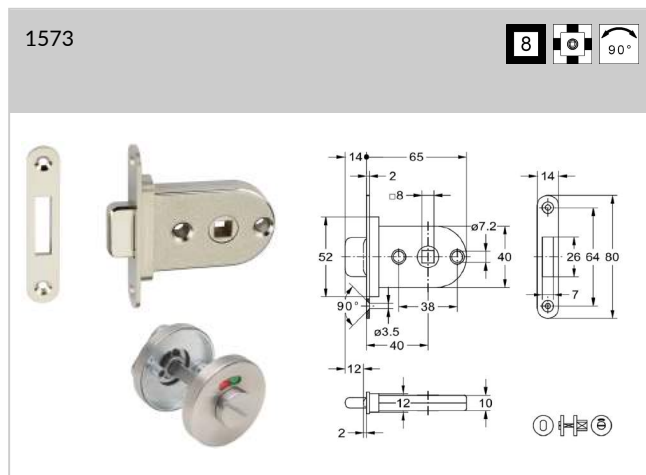
1594 accessories (included)

1 x 2529 Strike plate

page 15.22
15.25

1 x Door handle

1 x Square pin



article-no.	backset	finish set	finish	pack.	stock
1572.38002	38 mm		nickel plated	10 pcs	
1573.40002	40 mm	stainless steel with red/green indication	nickel plated	1 pcs	
1583.40002	40 mm	stainless steel with return spring	nickel plated	1 pcs	
1594.38002	38 mm	stainless steel with return spring	nickel plated	1 pcs	

Locks for caravans



Mortise type locks

Article 2181

swing bolt locks, metal; swing bolt and 8mm square metal nickel plated

Article 2184

swing bolt locks, metal; swing bolt and 8mm square metal nickel plated; complete with door handle (stainless steel matt) and fixing rose

2181 accessories (included)

1 x 2543 Strike plate

page 15.25

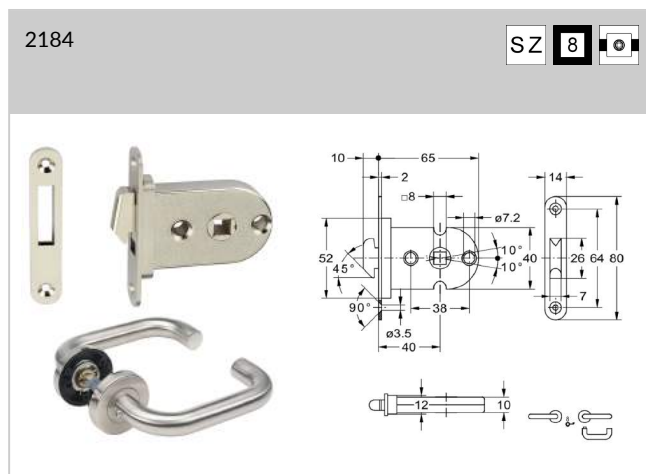
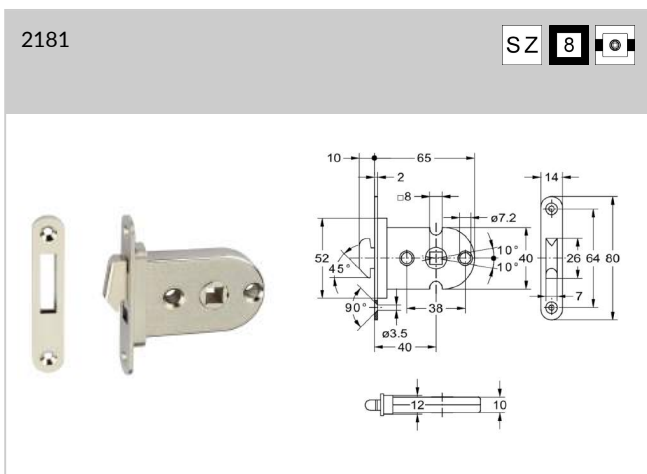
2184 accessories (included)

1 x 2543 Strike plate

page 15.25

1 x Door handle

1 x Square pin



article-no.	backset	finish set	finish	pack.	stock
2181.40002	40 mm		nickel plated	10 pcs	
2184.40002	40 mm	stainless steel with return spring	nickel plated	1 pcs	

01
02
03
04
05
06
07
08
09
10
11
12
13
14
15
16
17
18
19
20
21

Pushlocks

Article 4860

snap lock; cylinder zinc alloy, plastic case; impressed button secures the latch, button springs outwards by slightly pressure of button and can be used in open position as handle; for door thickness 18-24 mm; spacer discs for door thicknesses 15-17 mm available

Article 4880

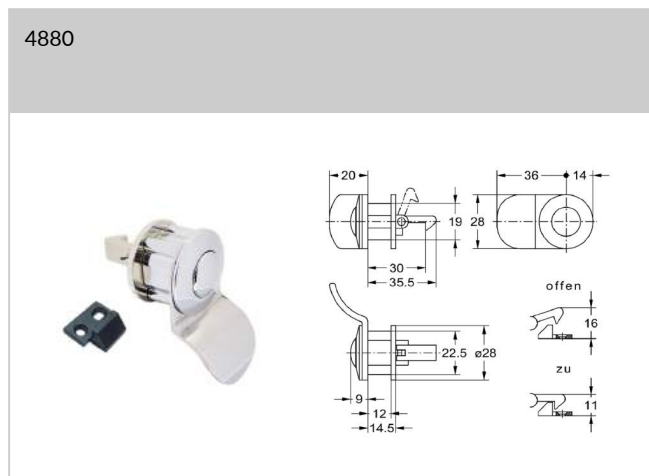
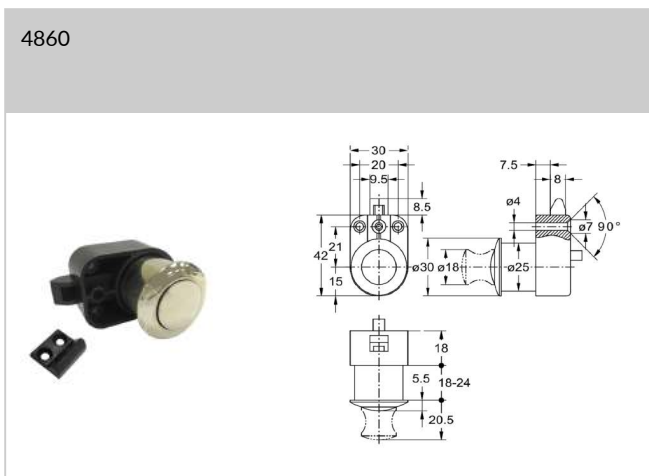
snap lock with hook bolt; cylinder zinc alloy, plastic or steel handle; press button and pull the handle for opening; automatic closing; for door thicknesses 19-20 mm

4860 accessories (included)

1 x 2705 Strike plate

4880 accessories (included)

1 x 2706 Strike plate



article-no.	finish	handle	pack.	stock
4860.30007	polished chromed		1 pcs	
4860.30021	polshed brass plated		1 pcs	
4860.30044	mat nickel plated		1 pcs	
4860.30076	mat gold plated		1 pcs	
4880.12003-75	polished nickel plated	brown plastic	1 pcs	
4880.12007-08	polished nickel plated	steel	1 pcs	
4880.12044-75	mat nickel plated	brown plastic	1 pcs	

Locks for caravans



Glass door knobs

Article 8566
Metal; knurled handle; fixed

Article 8567
Metal; handle with 2 black rubber rings; fixed

Article 8568
Metal; knurled rotary handle; with catch bolt

Article 8569
Metal; rotary handle with 2 black rubber rings; with catch bolt

8566 und 8567 accessories (included)

1 x M4x20 screw

8568 und 8569 accessories (included)

2 x M2.5x20 screw

8568 und 8569 accessories (excluded)

1 x 2701 Locking case

1 x 2702 Locking case

1 x 2703 Locking case

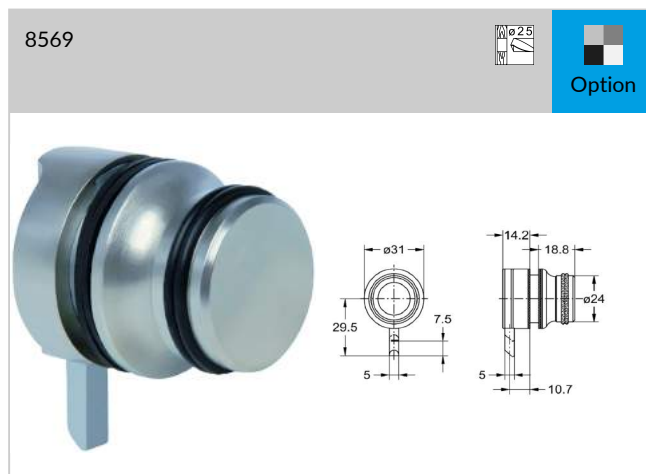
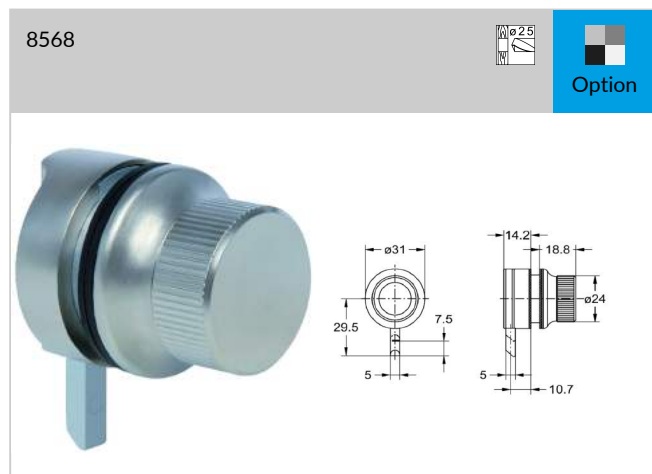
1 x 2704 Strike plate

page 15.27

page 15.27

page 15.27

page 15.27



article-no.	swing direction	finish	thickness	pack.	stock
8566.00002	right/left/down/up	mat nickel plated	4 - 6 mm	31	5 pcs ✓
8567.00002	right/left/down/up	mat nickel plated	4 - 6 mm	31	5 pcs ✓
8568.00102	right/down/up	mat nickel plated	4 - 6 mm	31	5 pcs ✓
8568.00202	left/down/up	mat nickel plated	4 - 6 mm	31	5 pcs ✓
8569.00102	right/down/up	mat nickel plated	4 - 6 mm	31	5 pcs ✓
8569.00202	left/down/up	mat nickel plated	4 - 6 mm	31	5 pcs ✓