

Chapter 12



- 01
- 02
- 03
- 04
- 05
- 06
- 07
- 08
- 09
- 10
- 11
- 12
- 13
- 14
- 15
- 16
- 17
- 18

01

Basquill dead locks

02



Basquill dead locks

03

Article 0920

Surface mounted; iron case; brass pipe

04

Additional information

Accessoires in chapter 16

05

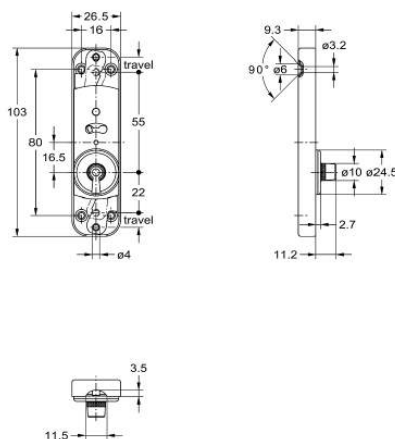
0920



06



07



08

09

10

article-no.	swing direction	finish	throw	pack.	stock
0920.00102	right	nickel plated	8 mm	10 pcs	✓
0920.00202	left	nickel plated	8 mm	10 pcs	✓

11

12

13

14

15

16

17

18

Basquill dead locks



Basquill dead locks

Article 0944

Surface mounted; iron case; brass pipe

Additional information

Accessoires in chapter 16

Art. accessories (included)

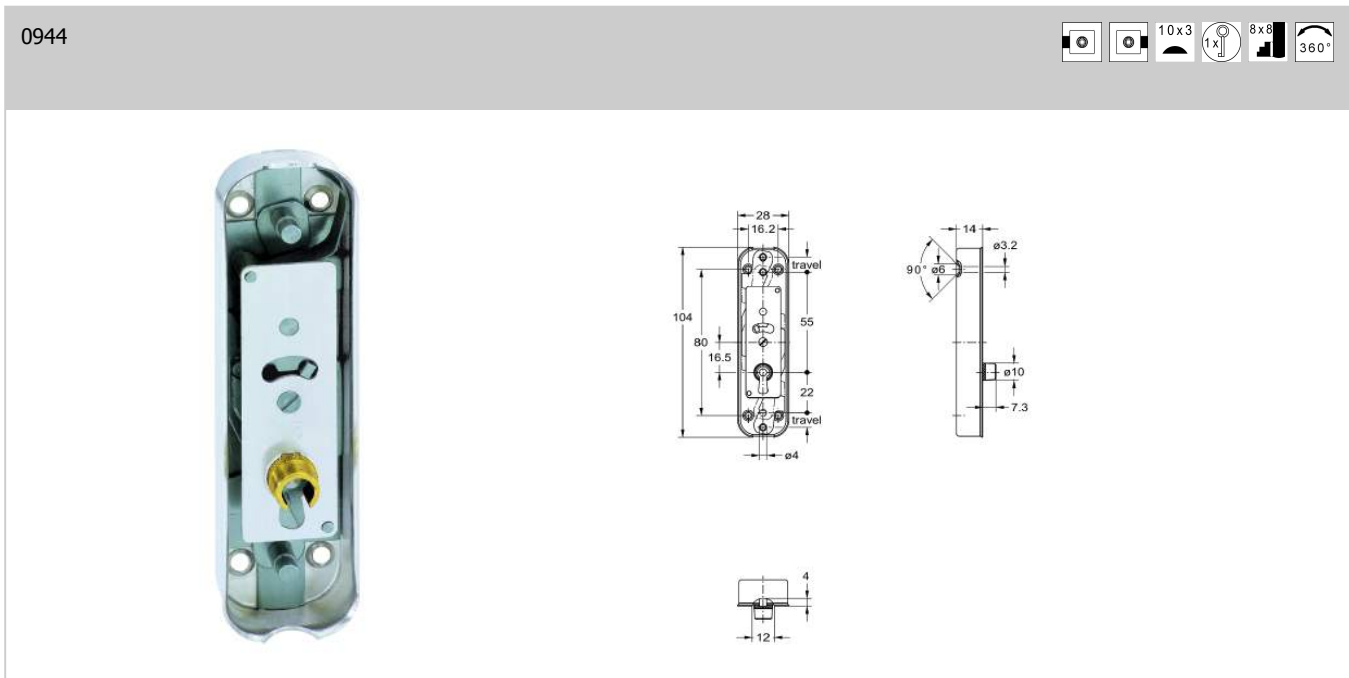
1 x 0305 key

4 x 2361 Rod guide

2 x 2370 Strike plate for rods

page 16.10

page 16.30



article-no.	swing direction	finish	throw	pack.	stock
0944.00102	right	nickel plated	8 mm	10 pcs	✓
0944.00202	left	nickel plated	8 mm	10 pcs	✓

- 01
- 02
- 03
- 04
- 05
- 06
- 07
- 08
- 09
- 10
- 11
- 12
- 13
- 14
- 15
- 16
- 17
- 18

01

Basquill dead locks

02

Basquill dead locks



03

Article 1036

Surface mounted; iron case; brass pipe; with side bolt

Art. accessories (included)

1 x 0305 key
4 x 2361 Rod guide
2 x 2370 Strike plate for rods

page 16.10

page 16.30

04

Additional information

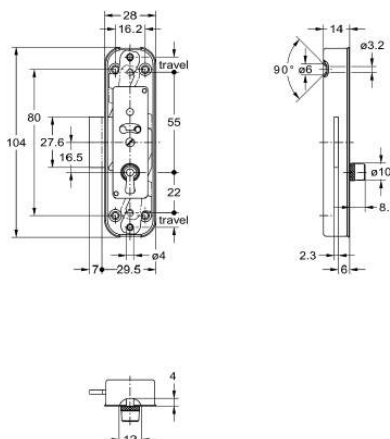
Accessoires in chapter 16

05

1036



06



07

08

09

10

article-no.	swing direction	finish	throw	pack.	stock
1036.00102	right	nickel plated	8 mm	10 pcs	✓
1036.00202	left	nickel plated	8 mm	10 pcs	✓

11

12

13

14

15

16

17

18

Basquill dead locks

Article 1200
Surface mounted; brass case

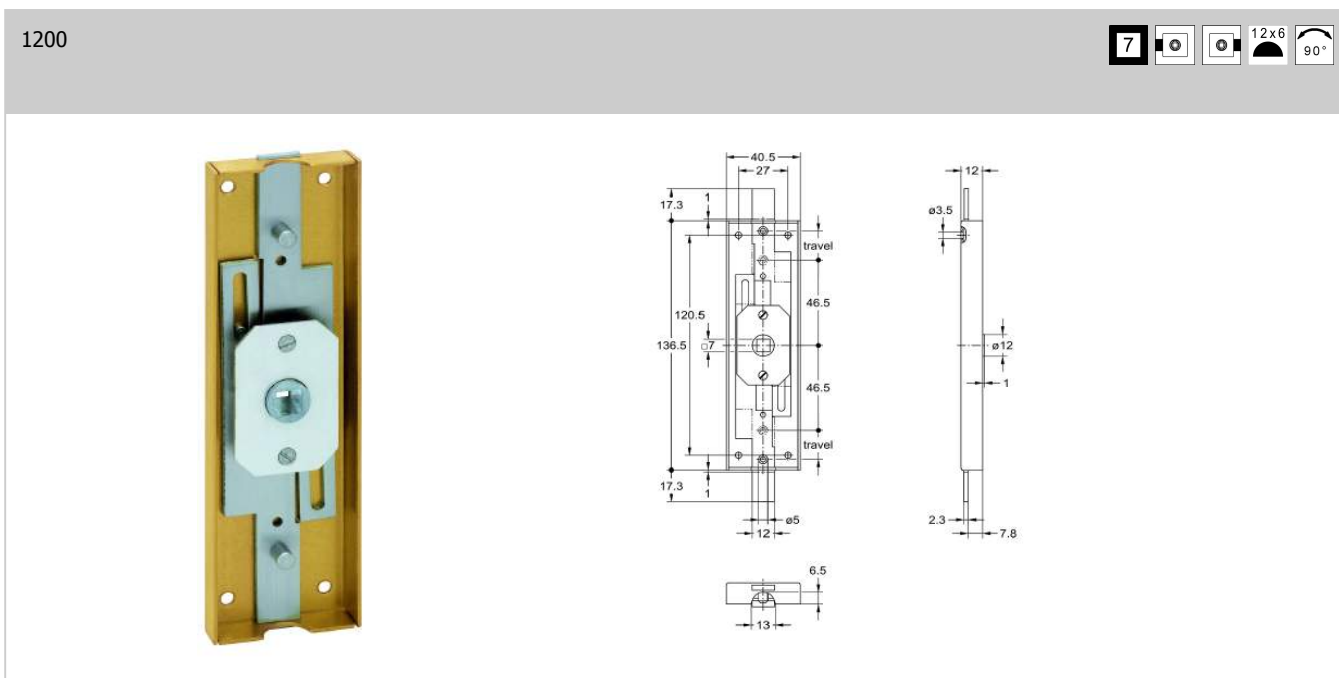
Additional information
Accessoires in chapter 16

Knobs in chapter 14

Art. accessories (included)

2 x 1288 Roller strike plate
4 x 2363 Rod guide

page 16.30
page 16.10



article-no.	swing direction	finish	throw	pack.	stock
1200.00101	right	brass mat	16 mm	5 pcs	
1200.00201	left	brass mat	16 mm	5 pcs	

Article 1206

Surface mounted; metal case

Art. accessories (included)4 x 2361 Rod guide
2 x 2370 Strike plate for rods

page 16.10

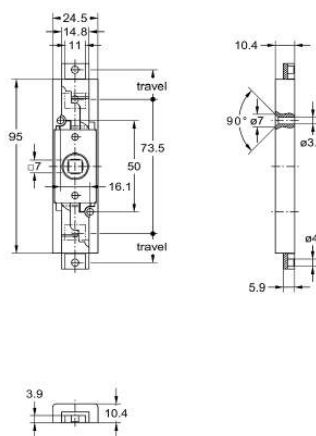
page 16.30

Additional information

Accessoires in chapter 16

Knobs in chapter 14

1206



article-no.	swing direction	finish	throw	pack.	stock
1206.00102	right	nickel plated	15,5 mm	5 pcs	✓
1206.00202	left	nickel plated	15,5 mm	5 pcs	

Basquill dead locks

Article 2833

Surface mounted; steel case; brass cylinder with 5 pin tumblers;
with side bolt

Art. accessories (included)

2 x 1288 Roller strike plate
4 x 2361 Rod guide

page 16.30
page 16.10

Additional information

Different cylinder types and lengths on pages 04.03, 04.04
and 04.06

Accessoires in chapter 16

2833

Option

article-no.	swing direction	cylinder finish	finish	throw	pack.	stock
2833.00102	right	mat nickel plated	nickel plated	8 mm	1 pcs	
2833.00202	left	mat nickel plated	nickel plated	8 mm	1 pcs	

Article 2841

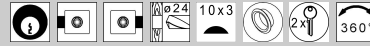
Surface mounted; steel case; brass cylinder with 5 pin tumblers

Art. accessories (included)2 x 1288 Roller strike plate
4 x 2361 Rod guidepage 16.30
page 16.10**Additional information**

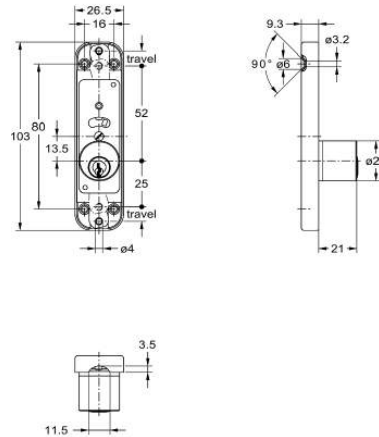
Different cylinder types and lengths on pages 04.03, 04.04 and 04.06

Accessoires in chapter 16

2841



Option



article-no.	swing direction	cylinder finish	finish	throw	pack.	stock
2841.00102	right	mat nickel plated	nickel plated	8 mm	1 pcs	✓
2841.00202	left	mat nickel plated	nickel plated	8 mm	1 pcs	✓
2841.00110	right	brass polished	nickel plated	8 mm	1 pcs	✓
2841.00210	left	brass polished	nickel plated	8 mm	1 pcs	✓

01

Basquill dead locks

02

Basquill dead locks



03

Article 1100

Inlet type; brass backplate and brass pipe

Art. accessories (included)

1 x 0305 key

2 x 2370 Strike plate for rods

page 16.30

04

Additional information

Accessoires in chapter 16

05

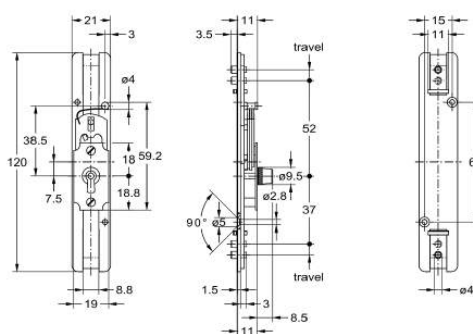
1100.xxx01



06



07



08

09

10

article-no.	swing direction	finish	code	throw	pack.	stock
1100.00101	right	brass mat	1 - 6	6 mm	5 pcs	✓
1100.00201	left	brass mat	1 - 6	6 mm	5 pcs	✓

11

12

13

14

15

16

17

18

Article 2843

Inlet type; brass backplate and brass cylinder with 5 pin tumblers

Art. accessories (included)2 x 1288 Roller strike plate
6 x 2361 Rod guide

page 16.30

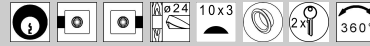
page 16.10

Additional information

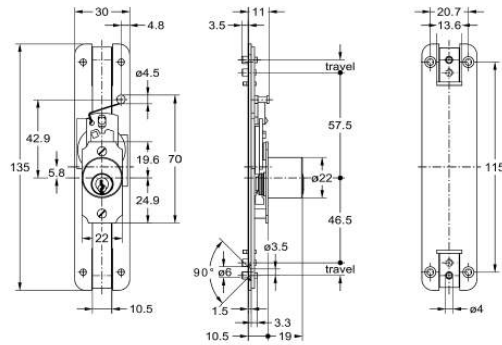
Different cylinder types and cylinder lengths on pages 04.03, 04.04 and 04.06

Accessories in chapter 16

2843



Option



article-no.	swing direction	cylinder finish	finish	throw	pack.	stock
2843.00102	right	mat nickel plated	brass mat	6 mm	1 pcs	
2843.00202	left	mat nickel plated	brass mat	6 mm	1 pcs	

Basquill dead locks

Article 2893

Surface mounted; brass case, brass cylinder with 5 pin tumblers;
square 90° rotation for locking

Art. accessories (included)

2 x 1288 Roller strike plate
4 x 2363 Rod guide

page 16.30
page 16.10

Additional information


Different cylinder types and cylinder lengths on pages 04.03, 04.04
and 04.06


Accessories in chapter 16

Knobs in chapter 14


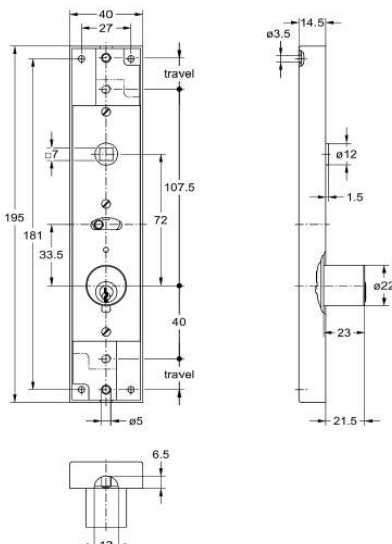
- 01
- 02
- 03
- 04
- 05
- 06
- 07
- 08
- 09
- 10
- 11
- 12**
- 13
- 14
- 15
- 16
- 17
- 18

2893





Option

article-no.	swing direction	cylinder finish	finish	throw	pack.	stock
2893.00102	right	mat nickel plated	brass mat	17 mm	1 pcs	
2893.00202	left	mat nickel plated	brass mat	17 mm	1 pcs	

01

Basquill dead locks

02

Basquill dead locks



*Bezeichnete
Sache!*

03

Article 2856

Surface mounted; steel case; brass cylinder wit 5 pin tumblers;

Art. accessories (included)

4 x 2361 Rod guide
2 x 2364 Clipping pin

page 16.10
page 13.20

04

for horizontal assembly

Additional information

Different cylinder types and lengths on pages 04.03, 04.04

and 04.06

05

Accessories in chapter 16

06

2856



Option

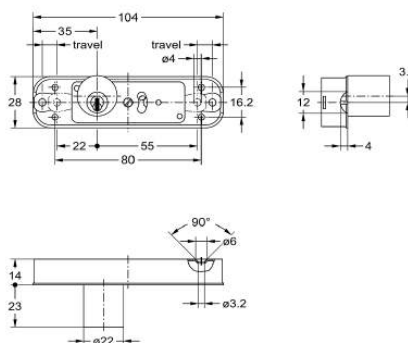
07

08

09

10

11



article-no.	cylinder finish	finish	throw	pack.	stock
2856.00302	mat nickel plated	nickel plated	8 mm	1 pcs	

12

13

14

15

16

17

18