



Article 7041, 7042, 7051, 7052

Plastic case; 15 and 20 mm backset

Additional information

Accessoires in chapter 16

Art. accessories (included)

1 x 0305 key

2 x 1277 Clip for locking hook

1 x 2410 Hook bolt

2 x 2420 Hook bolt

2 x 2530 Joint bolt on plate

1 x 2572 angular strike plate

page 16.8

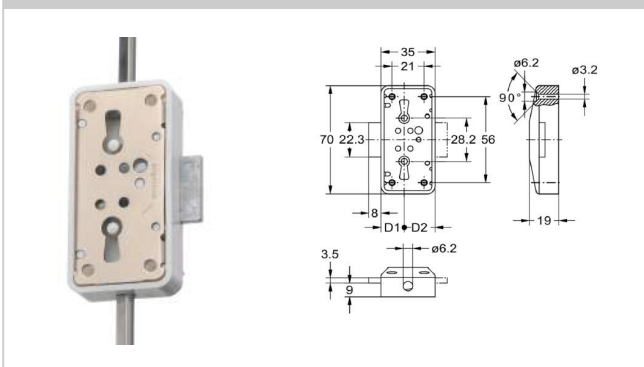
page 16.6

page 16.6

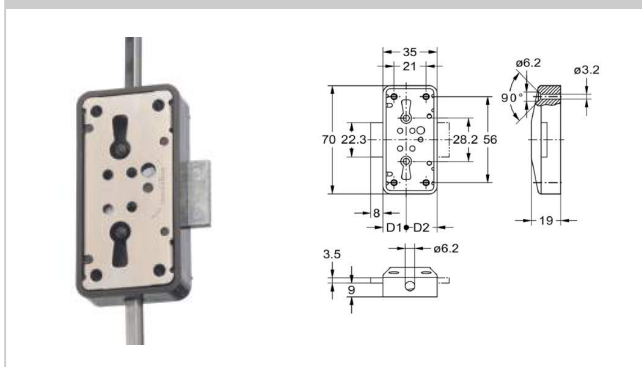
page 16.13

page 16.22

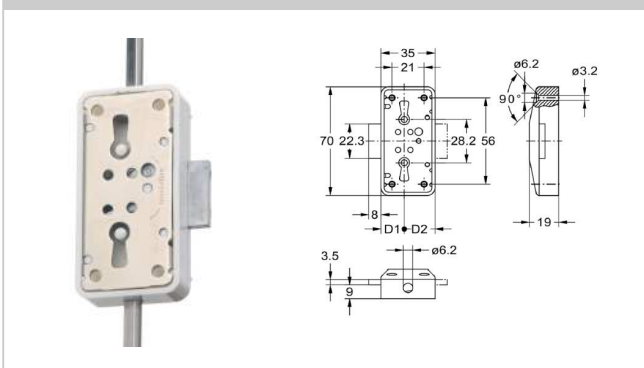
7041



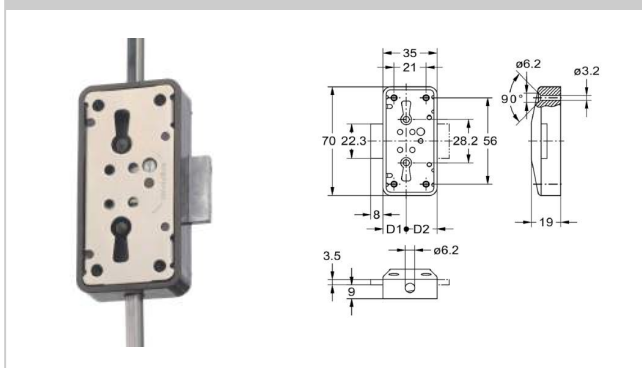
7042



7051



7052



article-no.	backset D1	backset D2	function	rods	pack.	stock
7041.15025:IC.686	15mm (20mm)	20mm (15mm)	white	divided	5 pcs	✓
7042.15011:IC.686	15mm (20mm)	20mm (15mm)	brown	divided	5 pcs	✓
7051.15025	15mm (20mm)	20mm (15mm)	white	divided	5 pcs	✓
7052.15011	15mm (20mm)	20mm (15mm)	brown	divided	5 pcs	✓

Espagnolette locks

Article 7061, 7062

Plastic case; brass cylinder with 5 pin tumblers; 15 and 20 mm backset

Additional information

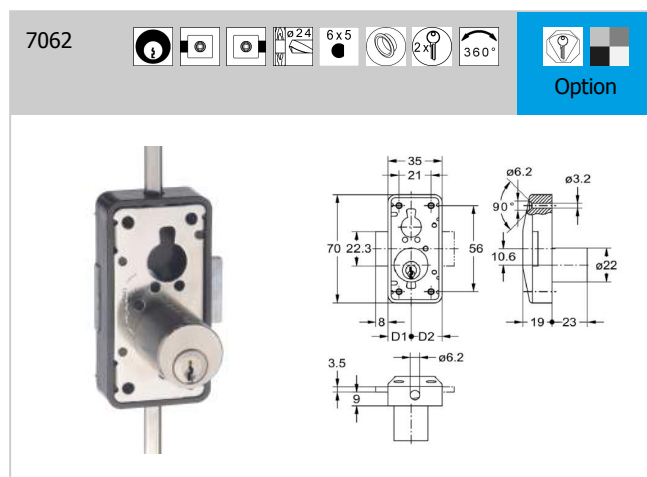
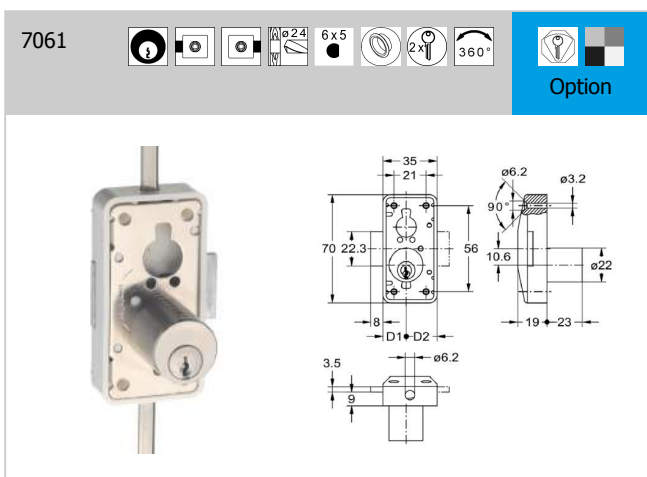
Accessoires in chapter 16

Different cylinder types and cylinder lengths on pages 04.03, 04.04 and 04.06

Art. accessories (included)

- 2 x 1277 Clip for locking hook
- 1 x 2410 Hook bolt
- 1 x 2420 Hook bolt
- 2 x 2530 Joint bolt on plate
- 1 x 2572 angular strike plate

page 16.8
page 16.6
page 16.6
page 16.13
page 16.22



article-no.	backset D1	backset D2	swing direction	function	cylinder finish	rods	pack.	stock
7061.20102	20mm (15mm)	15mm (20mm)	right (left)	white	mat nickel plated	divided	1 pcs	✓
7062.20102	20mm (15mm)	15mm (20mm)	right (left)	brown	mat nickel plated	divided	1 pcs	✓
7062.20202	20mm (15mm)	15mm (20mm)	left (right)	brown	mat nickel plated	divided	1 pcs	✓
7062.20110	20mm (15mm)	15mm (20mm)	left (right)	brown	brass polished	divided	1 pcs	✓
7062.20210	20mm (15mm)	15mm (20mm)	right (left)	brown	brass polished	divided	1 pcs	✓
7061.20202	20mm (15mm)	15mm (20mm)	left (right)	white	mat nickel plated	divided	1 pcs	✓
7061.20110	20mm (15mm)	15mm (20mm)	right (left)	white	brass polished	divided	1 pcs	✓
7061.20210	20mm (15mm)	15mm (20mm)	left (right)	white	brass polished	divided	1 pcs	✓

Article 7321, 7322

Plastic case; brass cylinder with 5 pin tumblers

Additional information

Accessoires in chapter 16

Different cylinder types and lengths on pages 04.03, 04.04 and 04.06

Art. accessories (included)

2 x 1277 Clip for locking hook

1 x 2410 Hook bolt

1 x 2420 Hook bolt

2 x 2530 Joint bolt on plate

1 x 2572 angular strike plate

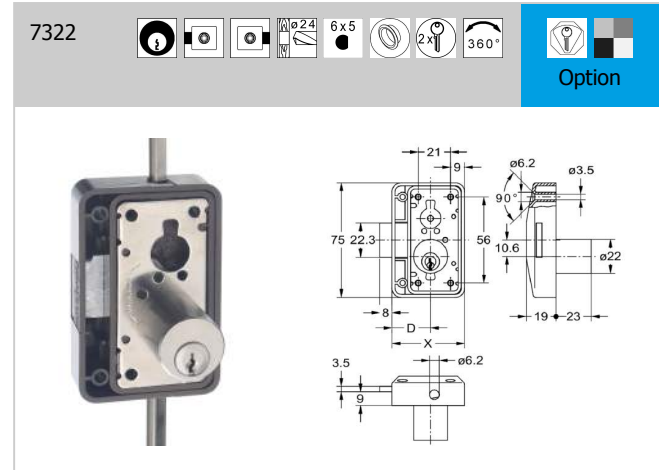
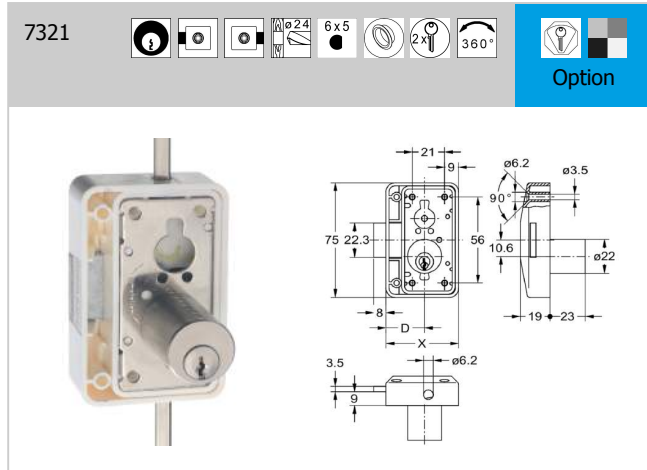
page 16.8

page 16.6

page 16.6

page 16.13

page 16.22



article-no.	backset D	swing direction	function	cylinder finish	rods	dimension X	pack.	stock
7321.25102	25 mm	right	white	mat nickel plated	divided	47 mm	1 pcs	
7321.25202	25 mm	left	white	mat nickel plated	divided	47 mm	1 pcs	
7321.30102	30 mm	right	white	mat nickel plated	divided	47 mm	1 pcs	
7321.30202	30 mm	left	white	mat nickel plated	divided	47 mm	1 pcs	
7321.35102	35 mm	right	white	mat nickel plated	divided	57 mm	1 pcs	
7321.35202	35 mm	left	white	mat nickel plated	divided	57 mm	1 pcs	
7321.40102	40 mm	right	white	mat nickel plated	divided	57 mm	1 pcs	
7321.40202	40 mm	left	white	mat nickel plated	divided	57 mm	1 pcs	
7322.25102	25 mm	right	brown	mat nickel plated	divided	47 mm	1 pcs	
7322.25202	25 mm	left	brown	mat nickel plated	divided	47 mm	1 pcs	
7322.30102	30 mm	right	brown	mat nickel plated	divided	47 mm	1 pcs	
7322.30202	30 mm	left	brown	mat nickel plated	divided	47 mm	1 pcs	
7322.35102	35 mm	right	brown	mat nickel plated	divided	57 mm	1 pcs	
7322.35202	35 mm	left	brown	mat nickel plated	divided	57 mm	1 pcs	
7322.40102	40 mm	right	brown	mat nickel plated	divided	57 mm	1 pcs	
7322.40202	40 mm	left	brown	mat nickel plated	divided	57 mm	1 pcs	

Espagnolette locks

Article 7010

Steel case

Article 7030

Steel case; adjustable from right to left hand;

factory setting is right hand

Additional information

Knobs in chapter 14

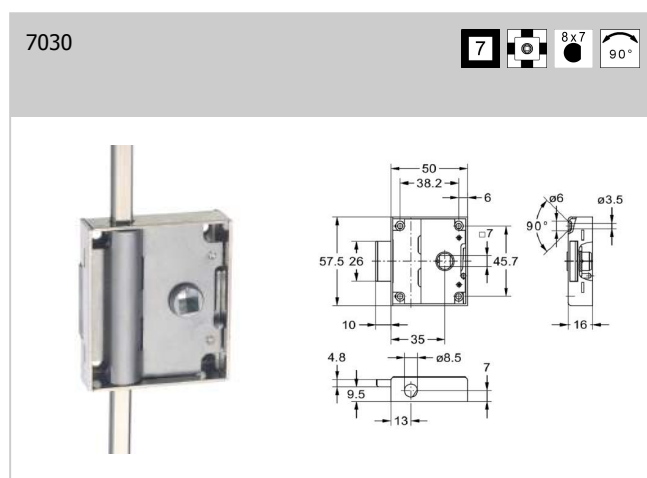
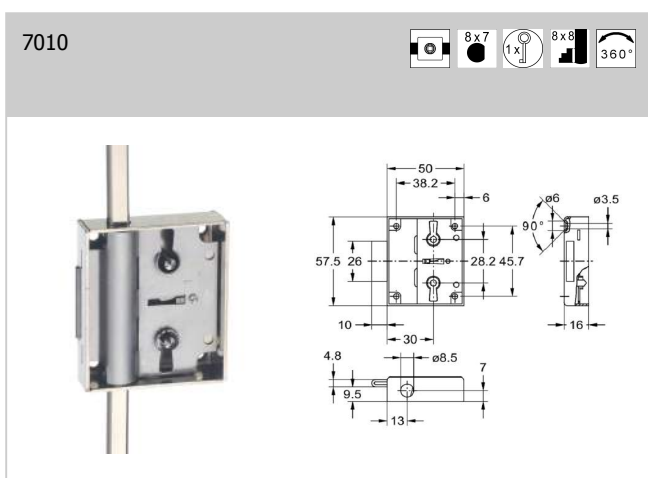
Accessoires in chapter 16

Art. accessories (included)

- 2 x 1310 bracket page 16.8
- 1 x 2413 Hook bolts page 16.6
- 1 x 2423 Hook bolts page 16.6
- 2 x 2530 Joint bolt on plate page 16.13
- 1 x 2572 angular strike plate page 16.22

7010 accessories (included)

- 1 x 0305 key



article-no.	backset	swing direction	finish	code	rods	pack.	stock
7010.30002:Z86.201	30 mm	right/left	nickel plated	1	divided	5 pcs	✓
7010.30002:Z86.202	30 mm	right/left	nickel plated	2	divided	5 pcs	✓
7010.30002:Z86.203	30 mm	right/left	nickel plated	3	divided	5 pcs	✓
7010.30002:Z86.204	30 mm	right/left	nickel plated	4	divided	5 pcs	✓
7010.30002:Z86.205	30 mm	right/left	nickel plated	5	divided	5 pcs	✓
7010.30002:Z86.206	30 mm	right/left	nickel plated	6	divided	5 pcs	✓
7030.35002	35 mm	right/left/down/up	nickel plated	□ 7 mm	divided	5 pcs	✓

Article 7020

Steel case; brass cylinder with 5 pin tumblers

Additional information

Different cylinder types and lengths on page 04.03, 04.04 and 04.06

Accessories in chapter 16

Art. accessories (included)

2 x 1310 bracket

1 x 2413 Hook bolts

1 x 2423 Hook bolts

2 x 2530 Joint bolt on plate

1 x 2572 angular strike plate

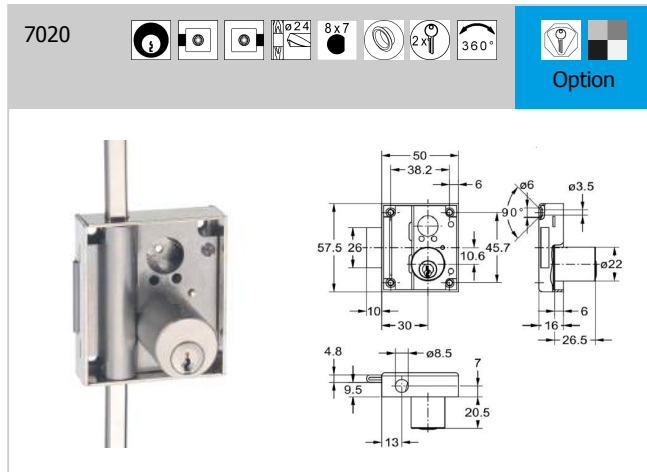
page 16.8

page 16.6

page 16.6

page 16.13

page 16.22



article-no.	backset	swing direction	cylinder finish	finish	code	rods	pack.	stock
7020.30102	30 mm	right	mat nickel plated	nickel plated	keyed different	divided	1 pcs	✓
7020.30202:BN.0104	30 mm	left	mat nickel plated	nickel plated	BN0104	divided	1 pcs	✓
7020.30102:BN.0105	30 mm	right	mat nickel plated	nickel plated	BN0105	divided	1 pcs	✓
7020.30202:BN.0105	30 mm	left	mat nickel plated	nickel plated	BN0105	divided	1 pcs	✓
7020.30102:BN.0106	30 mm	right	mat nickel plated	nickel plated	BN0106	divided	1 pcs	✓
7020.30202:BN.0106	30 mm	left	mat nickel plated	nickel plated	BN0106	divided	1 pcs	✓
7020.30102:BN.0107	30 mm	right	mat nickel plated	nickel plated	BN0107	divided	1 pcs	✓
7020.30202:BN.0107	30 mm	left	mat nickel plated	nickel plated	BN0107	divided	1 pcs	✓
7020.30102:BN.0108	30 mm	right	mat nickel plated	nickel plated	BN0108	divided	1 pcs	✓
7020.30202:BN.0108	30 mm	left	mat nickel plated	nickel plated	BN0108	divided	1 pcs	✓
7020.30102:BN.0109	30 mm	right	mat nickel plated	nickel plated	BN0109	divided	1 pcs	✓
7020.30202	30 mm	left	mat nickel plated	nickel plated	keyed different	divided	1 pcs	✓
7020.30202:BN.0109	30 mm	left	mat nickel plated	nickel plated	BN0109	divided	1 pcs	✓
7020.30102:BN.0110	30 mm	right	mat nickel plated	nickel plated	BN0110	divided	1 pcs	✓
7020.30102:BN.0101	30 mm	right	mat nickel plated	nickel plated	BN0101	divided	1 pcs	✓
7020.30202:BN.0101	30 mm	left	mat nickel plated	nickel plated	BN0101	divided	1 pcs	✓
7020.30102:BN.0102	30 mm	right	mat nickel plated	nickel plated	BN0102	divided	1 pcs	✓
7020.30202:BN.0102	30 mm	left	mat nickel plated	nickel plated	BN0102	divided	1 pcs	✓
7020.30102:BN.0103	30 mm	right	mat nickel plated	nickel plated	BN0103	divided	1 pcs	✓
7020.30202:BN.0103	30 mm	left	mat nickel plated	nickel plated	BN0103	divided	1 pcs	✓
7020.30102:BN.0104	30 mm	right	mat nickel plated	nickel plated	BN0104	divided	1 pcs	✓

Espagnolette locks

article-no.	backset	swing direction	cylinder finish	finish	code	rods	pack.	stock
7020.30202:BN.0110	30 mm	left	mat nickel plated	nickel plated	BN0110	divided	1 pcs	✓
7020.30110	30 mm	right	brass polished	nickel plated	keyed different	divided	1 pcs	✓
7020.30210	30 mm	left	brass polished	nickel plated	keyed different	divided	1 pcs	✓
7020.30110:BN.0101	30 mm	right	brass polished	nickel plated	BN0101	divided	1 pcs	✓
7020.30210:BN.0101	30 mm	left	brass polished	nickel plated	BN0101	divided	1 pcs	✓
7020.30110:BN.0102	30 mm	right	brass polished	nickel plated	BN0102	divided	1 pcs	✓
7020.30210:BN.0102	30 mm	left	brass polished	nickel plated	BN0102	divided	1 pcs	✓
7020.30110:BN.0103	30 mm	right	brass polished	nickel plated	BN0103	divided	1 pcs	✓
7020.30210:BN.0103	30 mm	left	brass polished	nickel plated	BN0103	divided	1 pcs	✓
7020.30110:BN.0104	30 mm	right	brass polished	nickel plated	BN0104	divided	1 pcs	✓
7020.30210:BN.0104	30 mm	left	brass polished	nickel plated	BN0104	divided	1 pcs	✓
7020.30110:BN.0105	30 mm	right	brass polished	nickel plated	BN0105	divided	1 pcs	✓
7020.30210:BN.0105	30 mm	left	brass polished	nickel plated	BN0105	divided	1 pcs	✓
7020.30110:BN.0106	30 mm	right	brass polished	nickel plated	BN0106	divided	1 pcs	✓
7020.30210:BN.0106	30 mm	left	brass polished	nickel plated	BN0106	divided	1 pcs	✓
7020.30110:BN.0107	30 mm	right	brass polished	nickel plated	BN0107	divided	1 pcs	✓
7020.30210:BN.0107	30 mm	left	brass polished	nickel plated	BN0107	divided	1 pcs	✓
7020.30110:BN.0108	30 mm	right	brass polished	nickel plated	BN0108	divided	1 pcs	✓
7020.30210:BN.0108	30 mm	left	brass polished	nickel plated	BN0108	divided	1 pcs	✓
7020.30110:BN.0109	30 mm	right	brass polished	nickel plated	BN0109	divided	1 pcs	✓
7020.30210:BN.0109	30 mm	left	brass polished	nickel plated	BN0109	divided	1 pcs	✓
7020.30110:BN.0110	30 mm	right	brass polished	nickel plated	BN0110	divided	1 pcs	✓
7020.30210:BN.0110	30 mm	left	brass polished	nickel plated	BN0110	divided	1 pcs	✓

