

Chapter 7



- 01
- 02
- 03
- 04
- 05
- 06
- 07**
- 08
- 09
- 10
- 11
- 12
- 13
- 14
- 15
- 16
- 17
- 18

How to mount glass door locks

Article 2976	Article 2995	Article 2997	Article 2999
Article 8568 and 8569		Article 8566 and 8567	Article 8575 and 8576
Article 8578 and 8579 for System Furore	Article 8571	Article 8571 with 8572	

Cylinder cam lock

Article 2976

Brass cylinder, 5 pin tumblers

Additional information

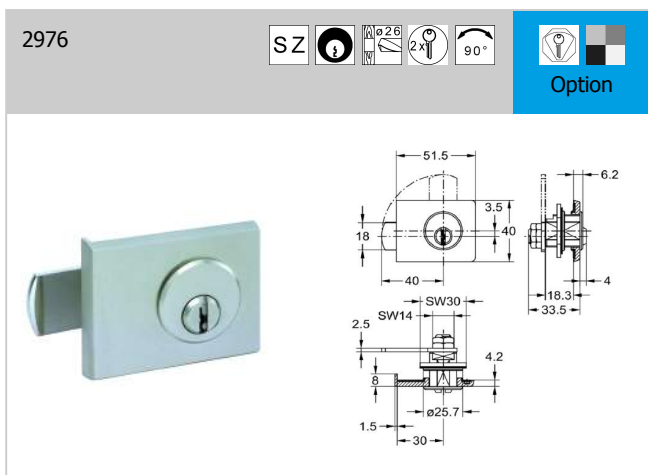
Lever movements on page 05.02

Further cam types on page 05.02

Art. accessories (included)

- 2 x 2621 Nut M10
- 1 x 2623 Nut M21 with plastic pad
- 1 x 2631 Cover plate with plastic washer
- 1 x 2640 Cam

page 05.13



article-no.	backset	Lever movement	finish	thickness	pack.	stock
2976.30102	30 mm	1, 4, 6, 7	mat nickel plated	4-10 mm	1 pcs	✓
2976.30202	30 mm	2, 3, 5, 8	mat nickel plated	4-10 mm	1 pcs	✓

01
02
03
04
05
06
07
08
09
10
11
12
13
14
15
16
17
18

Article 2995

Brass cylinder; 4 pin tumblers;

polished light metal guide housing

Article 2997

Brass cylinder; up to 6 pin tumblers;

metal guide plate

Article 2999

Brass cylinder; up to 6 pin tumblers;

steel toothed rod; to clip on

2995 accessories (included)

2 x Rubber ring

2997 accessories (included)

2 x Plastic washer

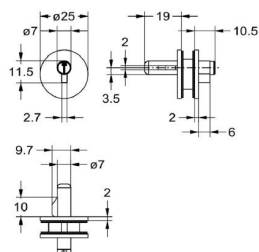
2 x M3x12 screw

2 x M3x16 screw

2999 accessories (included)

1 x Toothed rod

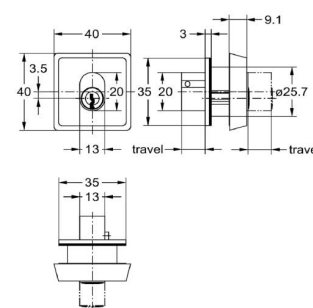
2995



2997



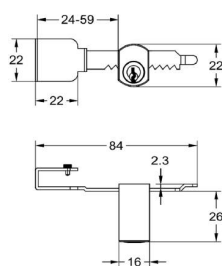
Option



2999



Option



article-no.	cylinder finish	finish	throw	thickness	pack.	stock
2995.00002	nickel plated	light metal polished		up to 7 mm	10 pcs	✓
2997.00002	mat nickel plated	mat nickel plated	12 mm	4-10 mm	1 pcs	✓
2999.00006	steel, mat chrome plated	steel, mat chrome plated		4-8 mm	1 pcs	✓

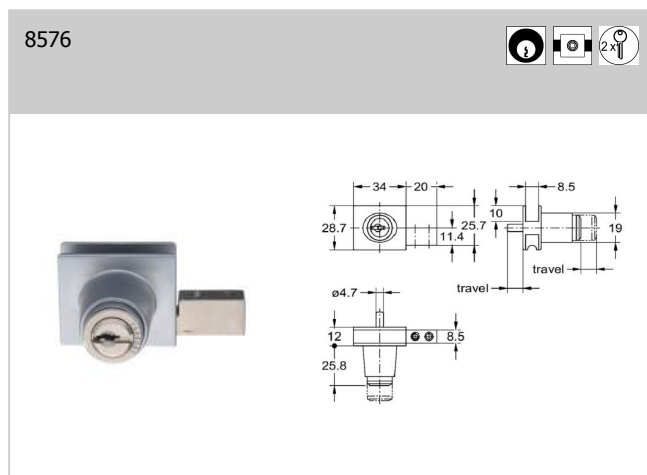
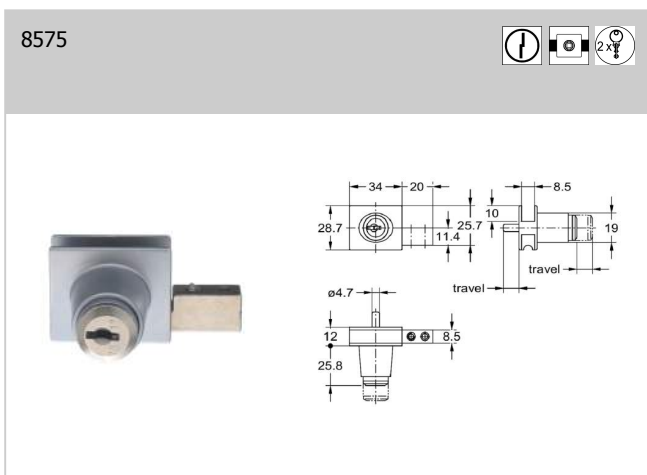
Cylinder lock for runner mounting

Article 8575

Metal push cylinder lock for sliding glass doors;
 disc tumbler cylinder,
 fastening part convertible from right to left
 compatible to Furore system, cylinder core not exchangeable

Article 8576

Metal push cylinder lock for sliding glass doors;
 5 pin tumblers;
 fastening part convertible from right to left
 compatible to ILS system



article-no.	finish	throw	thickness	pack.	stock
8575.00006	steel, mat chrome plated	9,5 mm	8,5 mm	1 pcs	
8576.00006	steel, mat chrome plated	9,5 mm	8,5 mm	1 pcs	

01
02
03
04
05
06
07
08
09
10
11
12
13
14
15
16
17
18

Knob cylinder

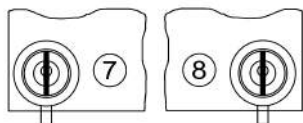
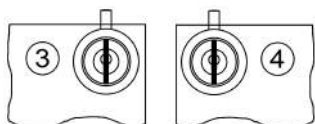
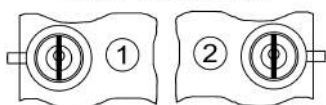
**Article 8578**

Metal; lockable; with latch; not suitable for knobs

Article 8579

Metal; lockable; not suitable for knobs

Lever movements

**Art. accessories (included)**

1 x 2701 Locking case page 16.31
 1 x 2702 Locking case page 16.31
 1 x 2703 Locking case page 16.31
 1 x 2704 Strike plate page 16.31
 3 x Rubber ring
 2 x M2.5x20 screw

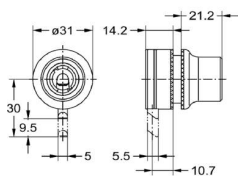
Art. accessories (excluded)

8535 Interchangeable cylinder core page 02.3
 8536 Interchangeable core page 02.5

8578



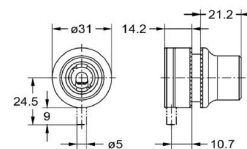
Option



8579



Option



article-no.	Lever movement	finish	thickness	pack.	stock
8578.00102	3, 7	nickel plated	4 - 6 mm	31	1 pcs ✓
8578.00202	1, 2, 4, 8	nickel plated	4 - 6 mm	31	1 pcs ✓
8579.00102	3, 7	nickel plated	4 - 6 mm	31	1 pcs ✓
8579.00202	1, 2, 4, 8	nickel plated	4 - 6 mm	31	1 pcs ✓

Glass door knobs

Article 8566

Metal; knurled handle

Article 8567

Metal; handle with 2 black rubber rings

Article 8568

Metal; knurled rotary handle

Article 8569

Metal; rotary handle with 2 black rubber rings

8566 und 8567 accessories (included)

1 x M4x20 screw

8568 und 8569 accessories (included)

1 x 2701 Locking case

1 x 2702 Locking case

1 x 2703 Locking case

1 x 2704 Strike plate

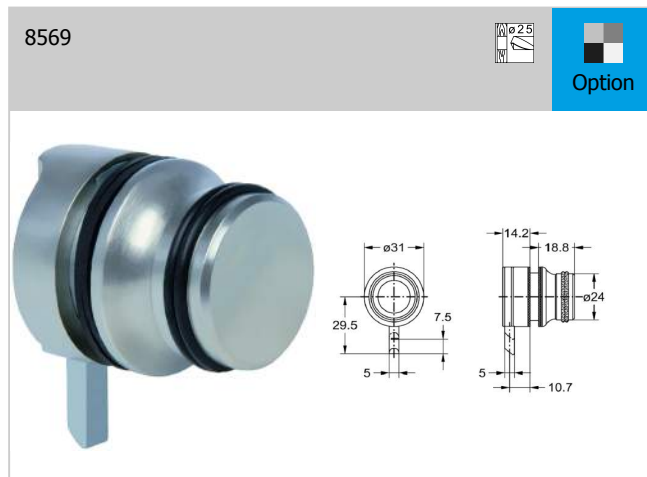
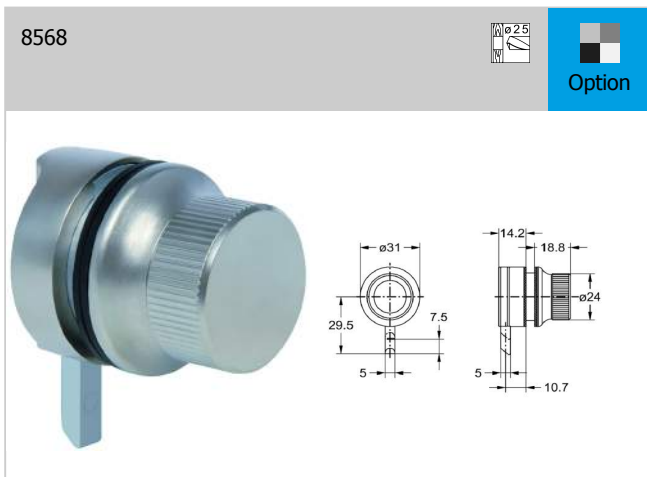
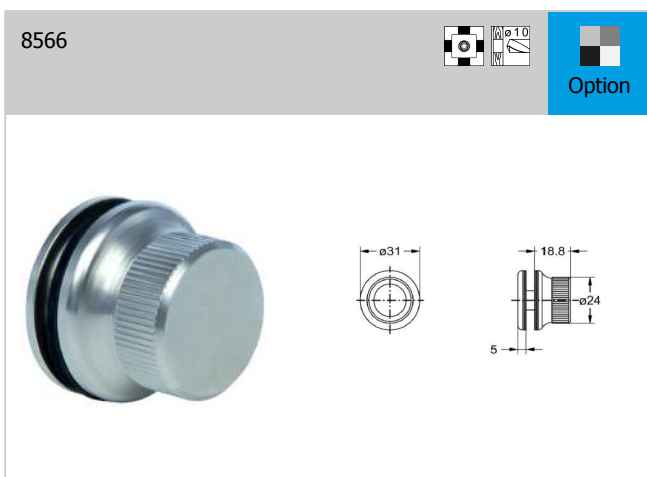
2 x M2.5x20 screw

page 16.31

page 16.31

page 16.31

page 16.31



article-no.	swing direction	finish	thickness		pack.	stock
8566.00002	right/left/down/up	mat nickel plated	4 - 6 mm	31	5 pcs	✓
8567.00002	right/left/down/up	mat nickel plated	4 - 6 mm	31	5 pcs	✓
8568.00102	right/down/up	mat nickel plated	4 - 6 mm	31	5 pcs	✓
8568.00202	left/down/up	mat nickel plated	4 - 6 mm	31	5 pcs	✓
8569.00102	right/down/up	mat nickel plated	4 - 6 mm	31	5 pcs	✓
8569.00202	left/down/up	mat nickel plated	4 - 6 mm	31	5 pcs	✓

01
02
03
04
05
06
07
08
09
10
11
12
13
14
15
16
17
18

Glass door locks



Glass door cam lock and fixing plate

Article 8571
Metal cam lock

Article 8572
Metal counter plate, two-piece with screw fixture

Additional information
Cam movements on page 05.02

Compatible knobs on pages 02.10-02.12

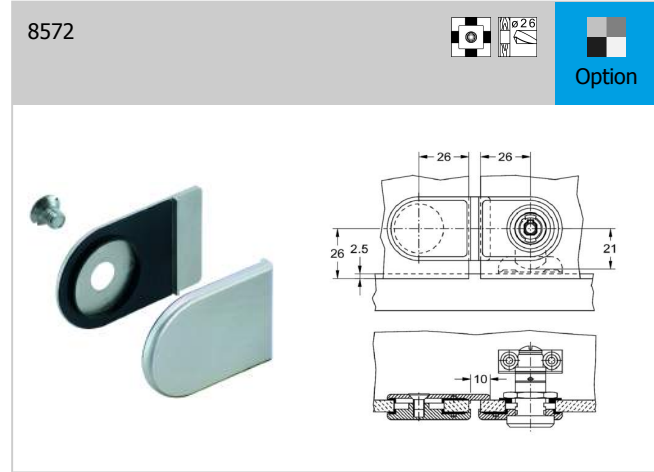
8571 accessories (included)
1 x 2572 angular strike plate page 16.22

1 x 2619 Nut M19
1 x 2634 Cover plate with plastic washer page 05.16

1 x 2660 Lever
1 x Spacer
1 x M6x5 screw

1 x Tooth lock washer
8571 accessories (excluded)
8535 Interchangeable cylinder core page 02.3
8536 Interchangeable core page 02.5

8572 accessories (included)
2 x Plastic washer
1 x M6x8 screw
1 x M6x12 screw



article-no.	Lever movement	finish	thickness	pack.	stock
8571.00002	1 - 8	nickel plated	4 - 10 mm	1 pcs	✓
8572.00002		nickel plated	4 - 10 mm	1 pcs	✓

Lever locks and Glass door locks

Article 7480, 7481, 7482

Metal cam lock; only suitable for profile half cylinders with adjustable locking nose, length of cylinder on side A: 29,5-32,5mm

Cam movement on page 05.02

Cam types on page 05.02

7480 key removable in open and closed position

7481 key removable only in locked position

7482 key removable in open or closed position, depending on the position of the locking nose

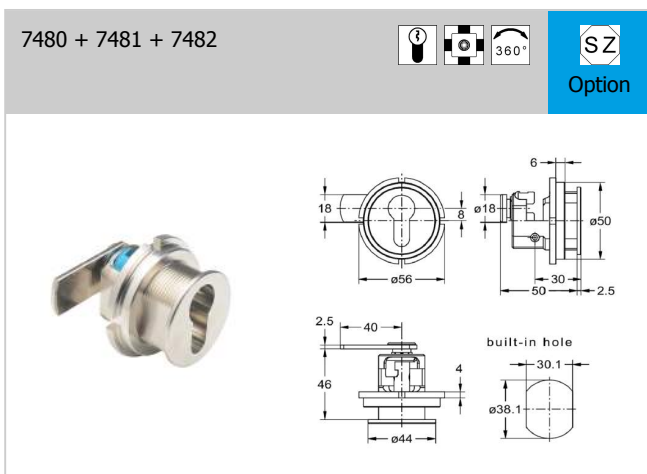
Article 2603



Metal adapter transforms 7480, 7481 and 7482 into a glass door lock

Additional information

Measurements for article 2616, 2617 and 2618 on page 16.17



7480 + 7481 + 7482 accessories (included)

1 x 2615 Castle nut page 16.16
1 x 2640 Cam page 05.13

1 x 9990.00003 Allen key

7480 + 7481 + 7482 accessories (excluded)

1 x 3351 Profile half cylinder page 03.10

1 x 9990.00002 Hook wrench for lock nut

2603 accessories (included)

1 x 2616 Hole nut page 16.16

1 x 2617 Tube nut page 16.16

1 x 2618 Spacer washer page 16.16

2603 accessories (excluded)

1 x 9990.00001 Hook wrench for hole nut



article-no.	description	function	Lever movement	dead bolt movement	thickness	pack.	stock
7480.00002	Lever lock	without forced closing	1 - 8	90°	1 - 23 mm	1 pcs	
7481.00002	Lever lock	with forced closing	1 - 8	90°	1 - 23 mm	1 pcs	
7482.00002	Lever lock	with and without forced closing	1 - 8	180°	1 - 23 mm	1 pcs	
2603.00002	Glass door lock	depending on lever lock	1 - 8	depending on lever lock	4 - 13 mm	1 pcs	

