

Chapter 14



- 01
- 02
- 03
- 04
- 05
- 06
- 07
- 08
- 09
- 10
- 11
- 12
- 13
- 14
- 15
- 16
- 17
- 18

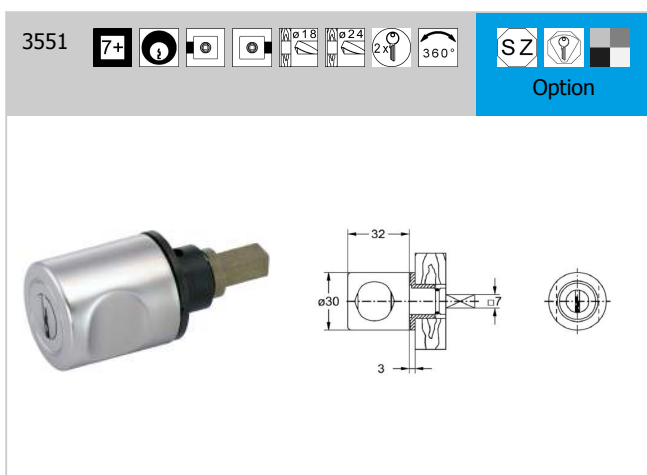
Article 3551

Knob with up to 6 pin tumblers;

Art. accessories (included)1 x 3583 Rose for $\varnothing 18$ or 3586 for $\varnothing 24$

metal in satin silver finish, stainless steel in mat brushed;

rotating and lockable; 2 grooves



article-no.	function	locking direction	finish	code	thickness	for \varnothing drilling	\varnothing knob	pack.	stock
3551.18102	metal	right	satin silver	keyed different	16 - 26 mm	18 mm	30 mm	1 pcs	✓
3551.18102:BN.0101	metal	right	satin silver	BN0101	16 - 26 mm	18 mm	30mm	1 pcs	✓
3551.18102:BN.0102	metal	right	satin silver	BN0102	16 - 26 mm	18 mm	30 mm	1 pcs	✓
3551.18102:BN.0103	metal	right	satin silver	BN0103	16 - 26 mm	18 mm	30 mm	1 pcs	✓
3551.18102:BN.0104	metal	right	satin silver	BN0104	16 - 26 mm	18 mm	30 mm	1 pcs	✓
3551.18102:BN.0105	metal	right	satin silver	BN0105	16 - 26 mm	18 mm	30 mm	1 pcs	✓
3551.18102:BN.0106	metal	right	satin silver	BN0106	16 - 26 mm	18 mm	30 mm	1 pcs	✓
3551.18102:BN.0107	metal	right	satin silver	BN0107	16 - 26 mm	18 mm	30 mm	1 pcs	✓
3551.18102:BN.0108	metal	right	satin silver	BN0108	16 - 26 mm	18 mm	30 mm	1 pcs	✓
3551.18102:BN.0109	metal	right	satin silver	BN0109	16 - 26 mm	18 mm	30 mm	1 pcs	✓
3551.18102:BN.0110	metal	right	satin silver	BN0110	16 - 26 mm	18 mm	30 mm	1 pcs	✓
3551.18139	stainless steel	right	stainless steel, brushed mat	keyed different	16 - 26 mm	18 mm	30 mm	1 pcs	
3551.18202	metal	left	satin silver	keyed different	16 - 26 mm	18 mm	30 mm	1 pcs	✓
3551.18202:BN.0101	metal	left	satin silver	BN0101	16 - 26 mm	18 mm	30 mm	1 pcs	✓
3551.18202:BN.0102	metal	left	satin silver	BN0102	16 - 26 mm	18 mm	30 mm	1 pcs	✓
3551.18202:BN.0103	metal	left	satin silver	BN0103	16 - 26 mm	18 mm	30 mm	1 pcs	✓
3551.18202:BN.0104	metal	left	satin silver	BN0104	16 - 26 mm	18 mm	30 mm	1 pcs	✓
3551.18202:BN.0105	metal	left	satin silver	BN0105	16 - 26 mm	18 mm	30 mm	1 pcs	✓

Knobs for indoor installation



Knobs rotating and lockable

article-no.	function	locking direction	finish	code	thickness	for ø drilling	ø knob	pack.	stock
3551.18202:BN.0106	metal	left	satin silver	BN0106	16 - 26 mm	18 mm	30 mm	1 pcs	✓
3551.18202:BN.0107	metal	left	satin silver	BN0107	16 - 26 mm	18 mm	30 mm	1 pcs	✓
3551.18202:BN.0108	metal	left	satin silver	BN0108	16 - 26 mm	18 mm	30 mm	1 pcs	✓
3551.18202:BN.0109	metal	left	satin silver	BN0109	16 - 26 mm	18 mm	30 mm	1 pcs	✓
3551.18202:BN.0110	metal	left	satin silver	BN0110	16 - 26 mm	18 mm	30 mm	1 pcs	✓
3551.18239	stainless steel	left	stainless steel, brushed mat	keyed different	16 - 26 mm	18 mm	30 mm	1 pcs	
3551.24102	metal	right	satin silver	keyed different	16 - 26 mm	24 mm	30 mm	1 pcs	
3551.24139	stainless steel	right	stainless steel, brushed mat	keyed different	16 - 26 mm	24 mm	30 mm	1 pcs	
3551.24202	metal	left	satin silver	keyed different	16 - 26 mm	24 mm	30 mm	1 pcs	
3551.24239	stainless steel	left	stainless steel, brushed mat	keyed different	16 - 26 mm	24 mm	30 mm	1 pcs	

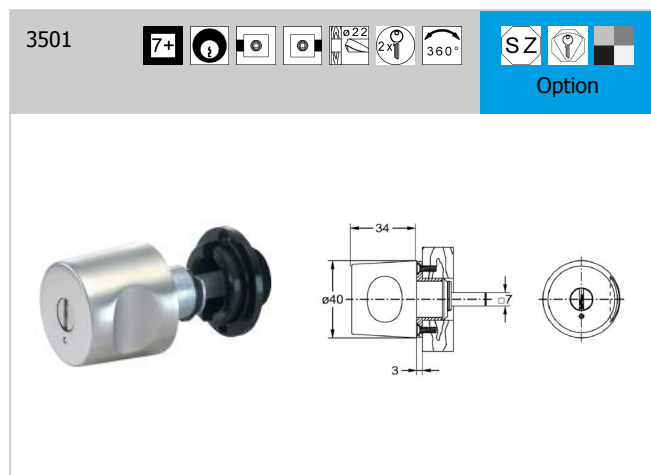
- 01
- 02
- 03
- 04
- 05
- 06
- 07
- 08
- 09
- 10
- 11
- 12
- 13
- 14
- 15
- 16
- 17
- 18

Article 3501

Knob with up to 5 pin tumblers; metal;

rotating and lockable; 1 groove sideways

locked position indicator on front side

Art. accessories (included)1 x 3589 rose for $\varnothing 22$ 

article-no.	locking direction	finish	code	thickness	\varnothing knob	pack.	stock
3501.22102	right	satın silver	keyed different	16 - 26 mm	40 mm	1 pcs	✓
3501.22102:BN.0101	right	satın silver	BN0101	16 - 26 mm	40 mm	1 pcs	✓
3501.22102:BN.0102	right	satın silver	BN0102	16 - 26 mm	40 mm	1 pcs	✓
3501.22102:BN.0103	right	satın silver	BN0103	16 - 26 mm	40 mm	1 pcs	✓
3501.22102:BN.0104	right	satın silver	BN0104	16 - 26 mm	40 mm	1 pcs	✓
3501.22102:BN.0105	right	satın silver	BN0105	16 - 26 mm	40 mm	1 pcs	✓
3501.22102:BN.0106	right	satın silver	BN0106	16 - 26 mm	40 mm	1 pcs	✓
3501.22102:BN.0107	right	satın silver	BN0107	16 - 26 mm	40 mm	1 pcs	✓
3501.22102:BN.0108	right	satın silver	BN0108	16 - 26 mm	40 mm	1 pcs	✓
3501.22102:BN.0109	right	satın silver	BN0109	16 - 26 mm	40 mm	1 pcs	✓
3501.22102:BN.0110	right	satın silver	BN0110	16 - 26 mm	40 mm	1 pcs	✓
3501.22202	left	satın silver	keyed different	16 - 26 mm	40 mm	1 pcs	✓
3501.22202:BN.0101	left	satın silver	BN0101	16 - 26 mm	40 mm	1 pcs	✓
3501.22202:BN.0102	left	satın silver	BN0102	16 - 26 mm	40 mm	1 pcs	✓
3501.22202:BN.0103	left	satın silver	BN0103	16 - 26 mm	40 mm	1 pcs	✓
3501.22202:BN.0104	left	satın silver	BN0104	16 - 26 mm	40 mm	1 pcs	✓
3501.22202:BN.0105	left	satın silver	BN0105	16 - 26 mm	40 mm	1 pcs	✓
3501.22202:BN.0106	left	satın silver	BN0106	16 - 26 mm	40 mm	1 pcs	✓
3501.22202:BN.0107	left	satın silver	BN0107	16 - 26 mm	40 mm	1 pcs	✓
3501.22202:BN.0108	left	satın silver	BN0108	16 - 26 mm	40 mm	1 pcs	✓
3501.22202:BN.0109	left	satın silver	BN0109	16 - 26 mm	40 mm	1 pcs	✓
3501.22202:BN.0110	left	satın silver	BN0110	16 - 26 mm	40 mm	1 pcs	✓

Knobs for indoor installation



Knobs rotating and lockable

Article 3541

Knob with up to 6 pin tumblers; metal;

rotating and lockable; 2 grooves

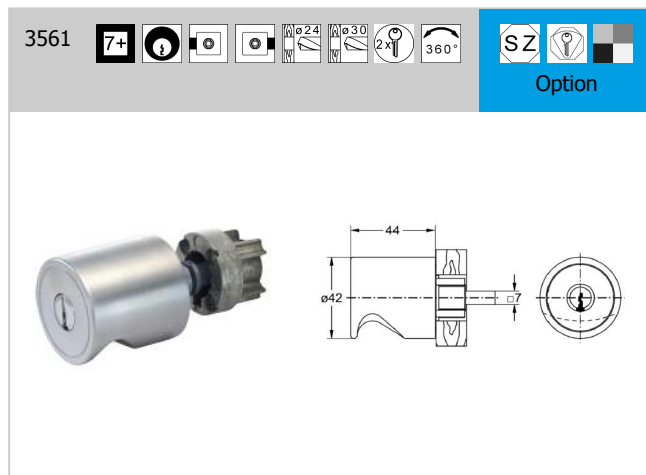
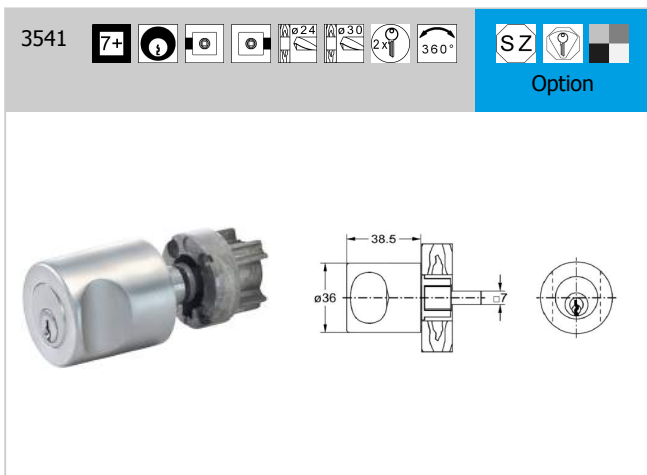
Article 3561

Knob with up to 6 pin tumblers, metal;

rotating and lockable; 1 groove on rear side

Art. accessories (included)

1 x 3581 rose



article-no.	locking direction	finish	thickness	for \varnothing drilling	\varnothing knob	pack.	stock
3541.24102	right	satin silver	16 - 26 mm	24 mm	36 mm	1 pcs	
3541.24202	left	satin silver	16 - 26 mm	24 mm	36 mm	1 pcs	
3541.30102	right	satin silver	16 - 26 mm	30 mm	36 mm	1 pcs	
3541.30202	left	satin silver	16 - 26 mm	30 mm	36 mm	1 pcs	
3561.24102	right	satin silver	16 - 26 mm	24 mm	42 mm	1 pcs	
3561.24202	left	satin silver	16 - 26 mm	24 mm	42 mm	1 pcs	
3561.30102	right	satin silver	16 - 26 mm	30 mm	42 mm	1 pcs	
3561.30202	left	satin silver	16 - 26 mm	30 mm	42 mm	1 pcs	

- 01
- 02
- 03
- 04
- 05
- 06
- 07
- 08
- 09
- 10
- 11
- 12
- 13
- 14
- 15
- 16
- 17
- 18

Knobs, rotating and lockable

Article 8521

Metal knob; rotating and lockable; with 4 black rubber rings and compensating plate for optimal fit

Article 8551

Metal knob; rotating and lockable; with 1 groove and compensating plate for optimal fit

Article 8561

Metal knob; rotating and lockable; with 2 grooves and compensating plate for optimal fit

Art. accessories (excluded)

1294 Disassembly pin

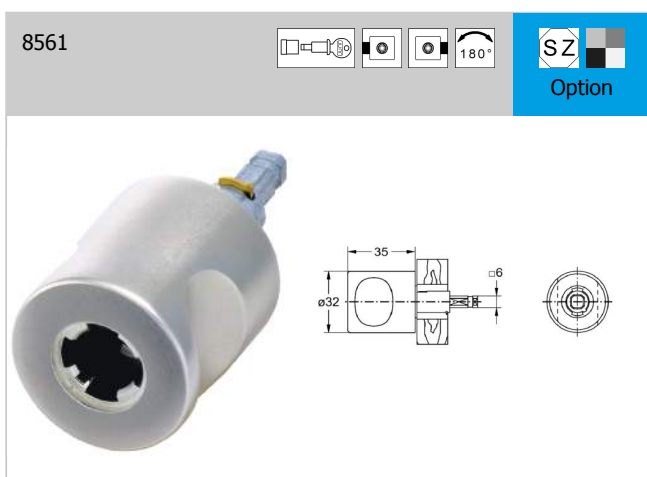
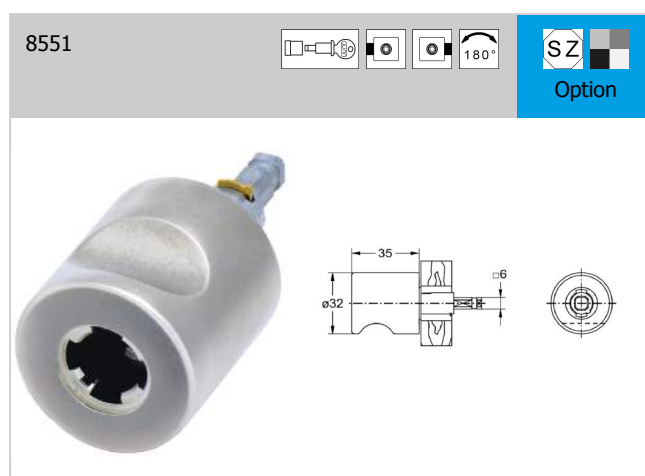
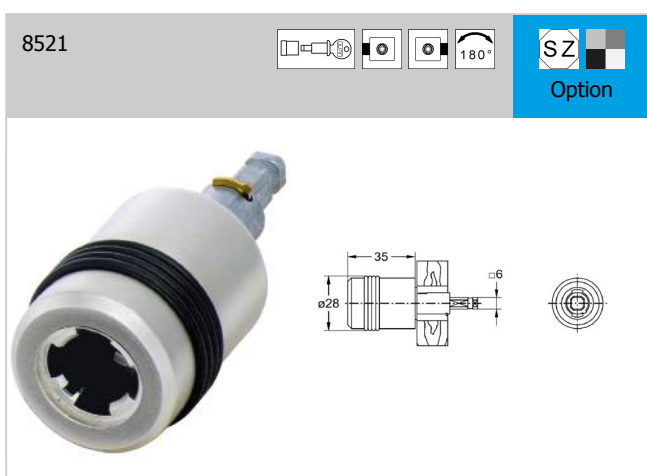
page 16.32

8535 Interchangeable cylinder core

page 02.3

8536 Interchangeable core

page 02.5



article-no.	locking direction	finish	system	thickness	ø knob	pack.	stock
8521.18102	right	satin silver	Furore	up to 21 mm	28 mm	10 pcs	✓
8521.18202	left	satin silver	Furore	up to 21 mm	28 mm	10 pcs	✓
8551.18102	right	satin silver	Furore	up to 21 mm	32 mm	10 pcs	✓
8551.18202	left	satin silver	Furore	up to 21 mm	32 mm	10 pcs	✓
8561.18102	right	satin silver	Furore	up to 21 mm	32 mm	10 pcs	✓
8561.18202	left	satin silver	Furore	up to 21 mm	32 mm	10 pcs	✓

Knobs for indoor installation



Knobs, rotating

Article 3503

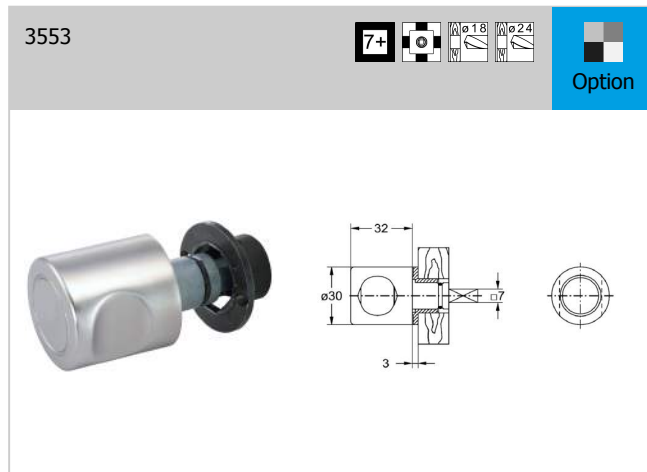
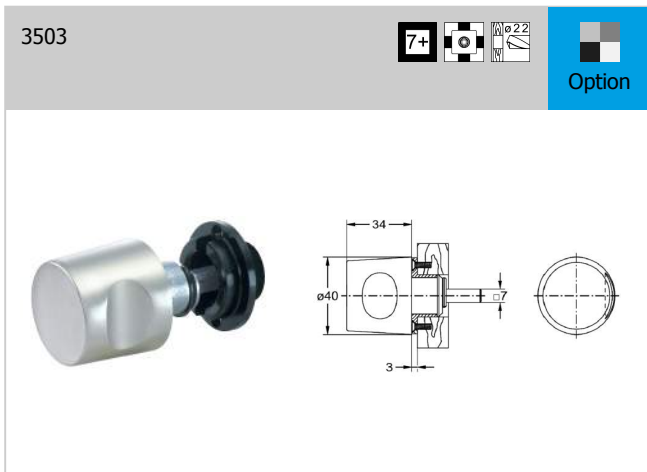
Metal; rotating; 1 groove sideways

3503 accessories (included)

1 x 3589 rose for $\varnothing 22$

Article 3553

Metal or stainless steel; rotating; 2 grooves



article-no.	function	finish	thickness	for \varnothing drilling	\varnothing knob	pack.	stock
3503.22002	metal	satin silver	16 - 26 mm	22 mm	40 mm	1 pcs	✓
3553.18002	metal	satin silver	16 - 26 mm	18 mm	30 mm	1 pcs	✓
3553.18039	stainless steel	stainless steel, brushed mat	16 - 26 mm	18 mm	30 mm	1 pcs	
3553.24002	metal	satin silver	16 - 26 mm	24 mm	30 mm	1 pcs	
3553.24039	stainless steel	stainless steel, brushed mat	16 - 26 mm	24 mm	30 mm	1 pcs	

- 01
- 02
- 03
- 04
- 05
- 06
- 07
- 08
- 09
- 10
- 11
- 12
- 13
- 14
- 15
- 16
- 17
- 18

01

Knobs for indoor installation

02

Knobs, rotating



03

Article 3513

Metal; rotating; 2 grooves

Art. accessories (included)

1 x 3581 rose

04

Article 3567

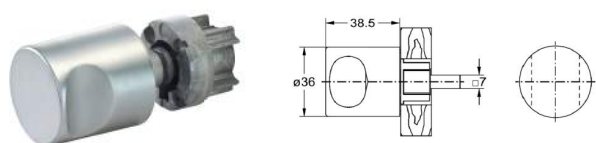
Metal; rotating; 1 groove down

05

3513



Option



06

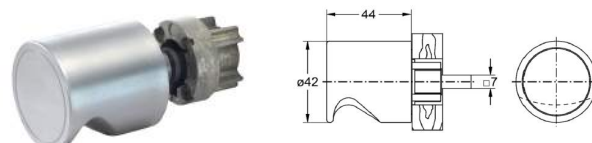
07

08

3567



Option



09

10

article-no.	finish	thickness	for \varnothing drilling	\varnothing knob	pack.	stock
3513.24002	satin silver	16 - 26 mm	24 mm	36 mm	1 pcs	
3513.30002	satin silver	16 - 26 mm	30 mm	36 mm	1 pcs	
3567.24002	satin silver	16 - 26 mm	24 mm	42 mm	1 pcs	
3567.30002	satin silver	16 - 26 mm	30 mm	42 mm	1 pcs	

11

12

13

14

15

16

17

18

Knobs for indoor installation



Knobs, rotating

Article 8523

Metal knob; rotating; with 4 black rubber rings and compensating plate for optimal fit

Article 8553

Metal knob; rotating; with 1 groove and compensating plate for optimal fit

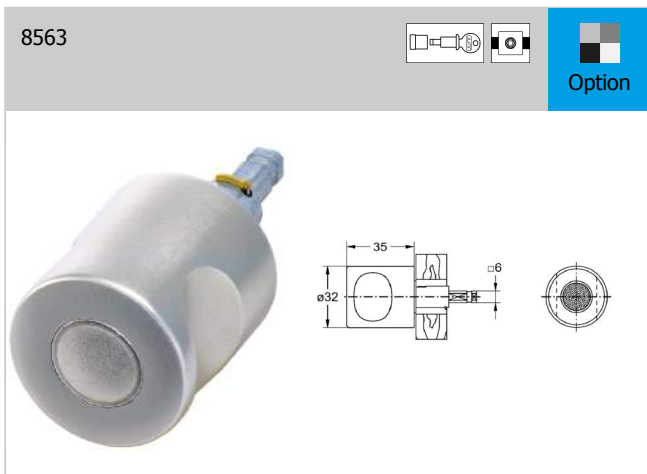
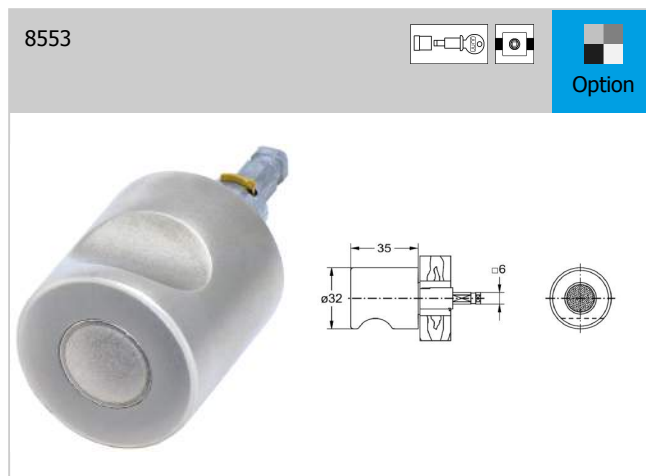
Article 8563

Metal knob; rotating; with 2 grooves and compensating plate for optimal fit

Art. accessories (excluded)

1294 Disassembly pin

page 16.32



article-no.	finish	system	thickness	ø knob	pack.	stock
8523.18002	satın silver	Furore	up to 21 mm	28 mm	10 pcs	✓
8553.18002	satın silver	Furore	up to 21 mm	32 mm	10 pcs	✓
8563.18002	satın silver	Furore	up to 21 mm	32 mm	10 pcs	✓

- 01
- 02
- 03
- 04
- 05
- 06
- 07
- 08
- 09
- 10
- 11
- 12
- 13
- 14
- 15
- 16
- 17
- 18

01

Knobs for indoor installation

02



03

Article 3554

Metal; rotating; for knobs of own choice

Art. accessories (included)1 x 3583 Rose for $\varnothing 18$ or 3586 for $\varnothing 24$

04

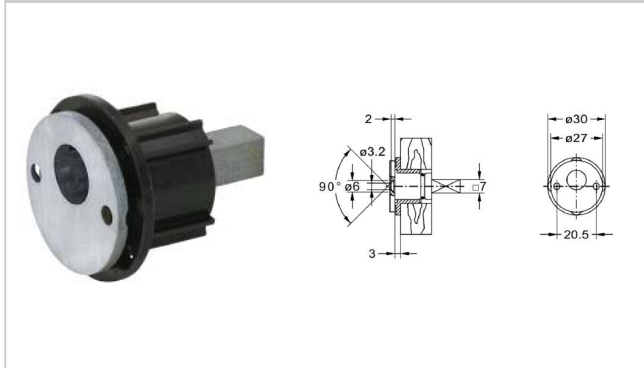
3554



05

06

07



08

article-no.	finish	thickness	for \varnothing drilling	pack.	stock
3554.18031	metal untreated	16 - 26 mm	18 mm	1 pcs	
3554.24031	metal untreated	16 - 26 mm	24 mm	1 pcs	

09

10

11

12

13

14

15

16

17

18

Knobs for indoor installation



Knobs, fixed

Article 3505

Metal; fixed; 1 groove sideways

Article 3555

Metal or stainless steel; fixed; 2 grooves

3505 accessories (included)

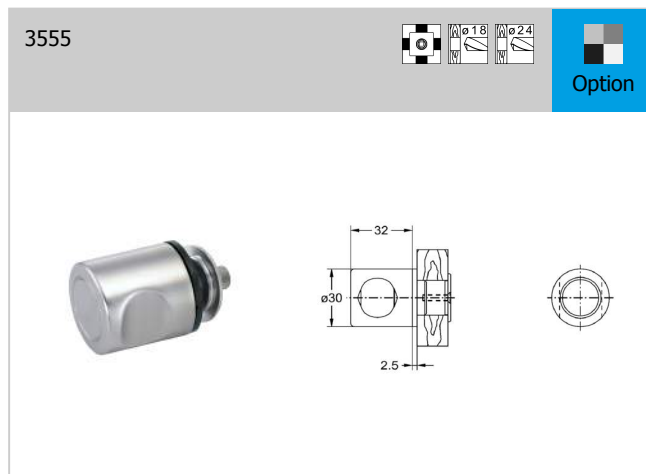
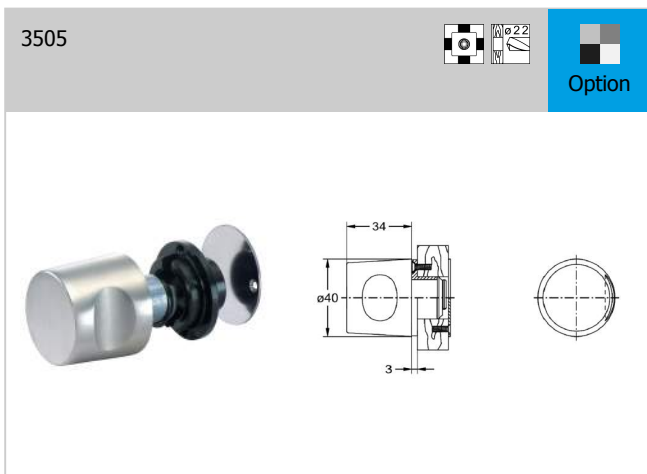
1 x 3589 rose for $\varnothing 22$

1 x Cover plate

3555 accessories (included)

1 x 4x35 screw

1 x Cover plate



article-no.	function	finish	thickness	for \varnothing drilling	\varnothing knob	pack.	stock
3505.22002	metal	satin silver	16 - 26 mm	22 mm	40	1 pcs	✓
3555.18002	metal	satin silver	10 - 26 mm	18 mm	30	1 pcs	✓
3555.18039	stainless steel	stainless steel, brushed mat	10 - 26 mm	18 mm	30	1 pcs	
3555.24002	metal	satin silver	10 - 26 mm	24 mm	30	1 pcs	
3555.24039	stainless steel	stainless steel, brushed mat	10 - 26 mm	24 mm	30	1 pcs	

- 01
- 02
- 03
- 04
- 05
- 06
- 07
- 08
- 09
- 10
- 11
- 12
- 13
- 14
- 15
- 16
- 17
- 18

01

Knobs for indoor installation

02

Knobs, fixed



03

Article 3515

Metal; fixed; 2 grooves

Art. accessories (included)

1 x 4x45 screw

1 x Cover plate

04

Article 3568

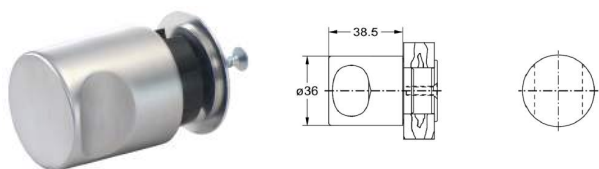
Metal; fixed; 1 groove on rear side

05

3515



Option



06

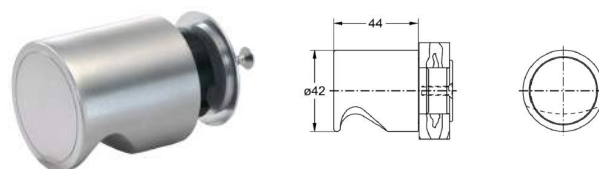
07

08

3568



Option



09

10

article-no.	finish	thickness	for \varnothing drilling	\varnothing knob	pack.	stock
3515.24002	satin silver	16 - 26 mm	24 mm	36	1 pcs	
3515.30002	satin silver	16 - 26 mm	30 mm	36	1 pcs	
3568.24002	satin silver	16 - 26 mm	24 mm	42	1 pcs	
3568.30002	satin silver	16 - 26 mm	30 mm	42	1 pcs	

11

12

13

14

15

16

17

18

Knobs for indoor installation



Knobs, fixed

Article 8525

Metal knob; brass nickel plated cover plate; fixed; with 4 black rubber rings

Article 8555

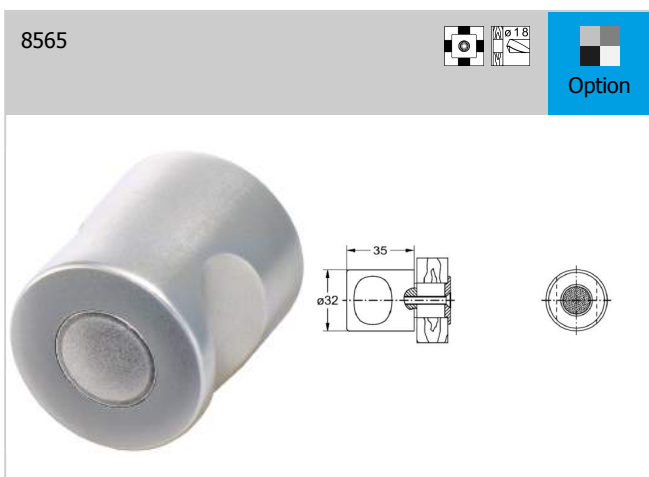
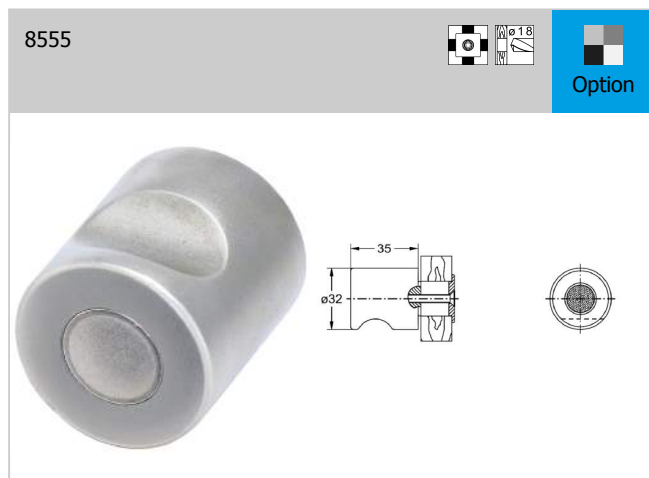
Metal knob; brass nickel plated cover plate; fixed; with 1 groove

Article 8565

Metal knob; brass nickel plated cover plate; fixed; with 2 grooves

Art. accessories (included)

- 1 x 4x30 screw
- 1 x Cover plate



article-no.	finish	system	thickness	ø knob	pack.	stock
8525.18002	satin silver	Furore	10 - 21 mm	28 mm	10 pcs	✓
8555.18002	satin silver	Furore	10 - 21 mm	32 mm	10 pcs	✓
8565.18002	satin silver	Furore	10 - 21 mm	32 mm	10 pcs	✓

- 01
- 02
- 03
- 04
- 05
- 06
- 07
- 08
- 09
- 10
- 11
- 12
- 13
- 14
- 15
- 16
- 17
- 18

Knobs for indoor installation



Knobs

Article 3570

Metal knob; rotating and lockable; with 2 grooves

Article 3573

Metal knob; rotating; with 2 grooves

Article 3575

Metal knob; nickel plated brass cover plate; fixed; with 2 grooves

3570 accessories (included)

- 1 x 3580 Rose
- 1 x 9990.00003 Allen key
- 1 x M5x8 grub screw for cylinder fastening

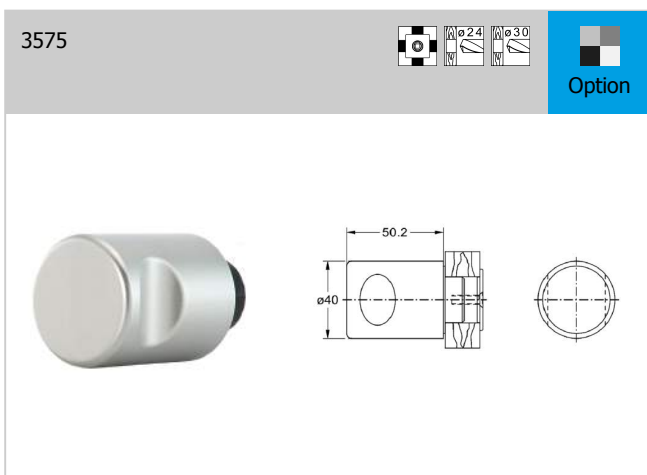
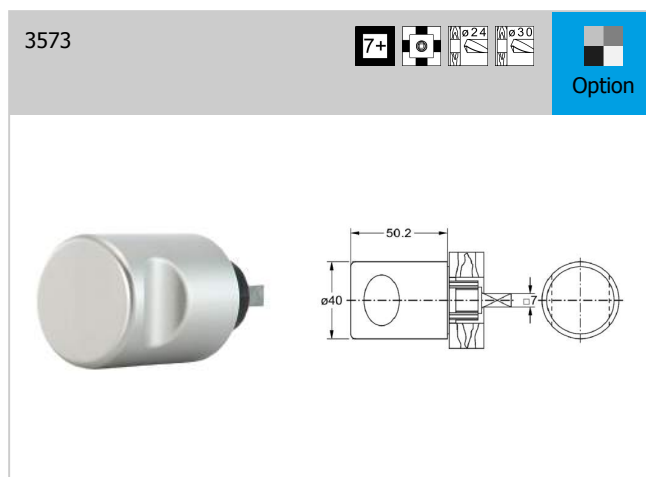
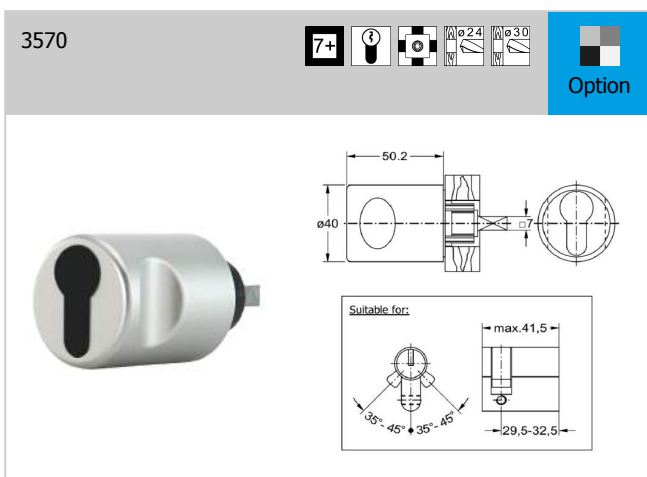
3570 accessories (excluded)

- 1 x 3351 Profile half cylinder

page 03.10

3575 accessories (included)

- 1 x M4x25 screw
- 1 x Cover plate



article-no.	finish	system	thickness	for ø drilling	ø knob	pack.	stock
3570.24002	mat nickel plated	PZ	18-26 mm	24 mm	40 mm	1 pcs	✓
3570.30002	mat nickel plated	PZ	18-26 mm	30 mm	40 mm	1 pcs	✓
3573.24002	mat nickel plated	PZ	18-26 mm	24 mm	40 mm	1 pcs	✓
3573.30002	mat nickel plated	PZ	18-26 mm	30 mm	40 mm	1 pcs	✓
3575.24002	mat nickel plated	PZ	min 12,5 mm	24 mm	40 mm	1 pcs	✓
3575.30002	mat nickel plated	PZ	min 12,5 mm	30 mm	40 mm	1 pcs	✓

Knobs

Article 3560

Metal knob; rotating and lockable; with 2 grooves;

only compatible with ILS locks starting with backset 25mm

Article 3563

Metal knob; rotating; with 2 grooves;

only compatible with ILS locks starting with backset 25mm

Article 3565

metal knob; brass cover plate, nickel plated;

fixed; with 2 grooves

3560 accessories (included)

- 1 x 3580 Rose
- 1 x 9990.00003 Allen key
- 1 x ILS- locking adapter
- 1 x M5x8 grub screw for cylinder fastening
- 1 x Rose for knob

3560 accessories (excluded)

- 1 x 3351 Profile half cylinder

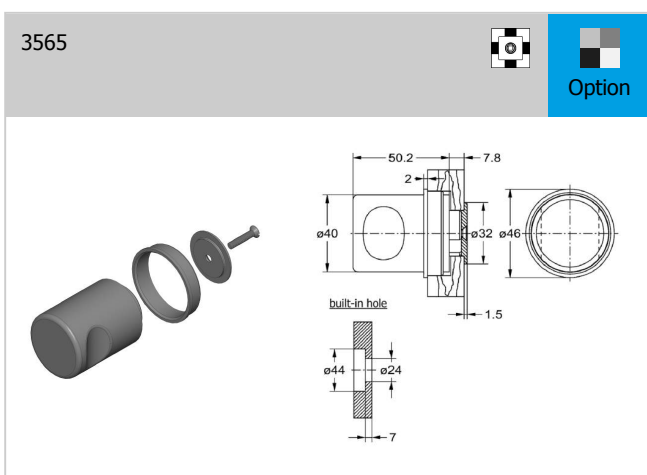
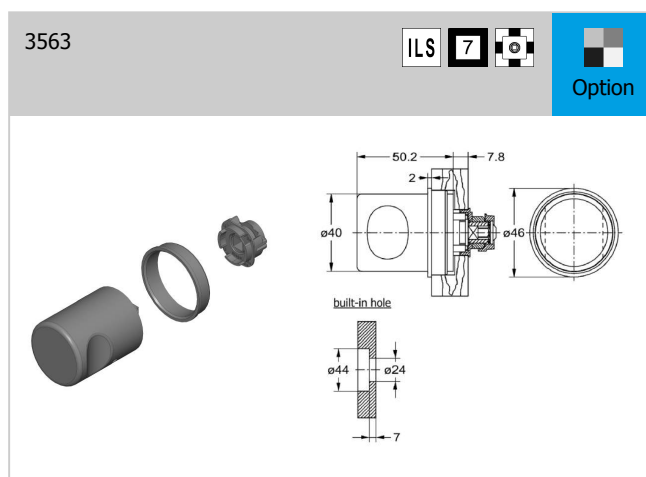
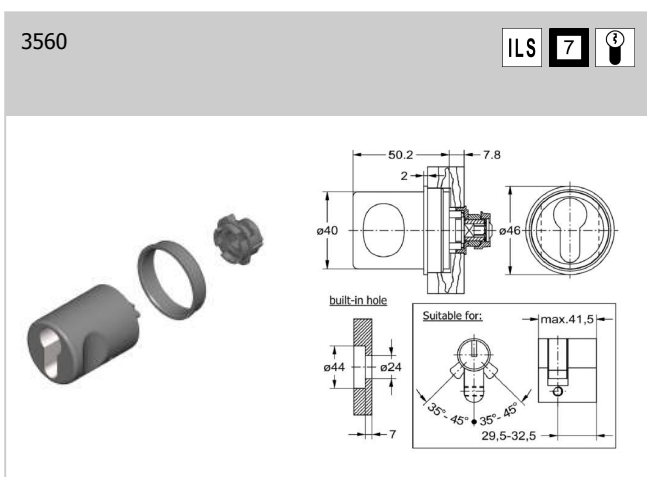
page 03.10

3563 accessories (included)

- 1 x 3580 Rose
- 1 x ILS- locking adapter
- 1 x Rose for knob

3565 accessories (included)

- 1 x M4x25 screw
- 1 x Cover plate
- 1 x Rose



article-no.	finish	system	thickness	ø knob	pack.	stock
3560.24002	mat nickel plated	ASS / PZ	15-26 mm	40	1 pcs	
3563.24002	mat nickel plated	ASS / PZ	15-26 mm	40	1 pcs	
3565.24002	mat nickel plated	ASS / PZ	15-26 mm	40	1 pcs	

