

01  
02  
03  
04  
05  
06  
07  
**08**  
09  
10  
11  
12  
13  
14  
15  
16  
17  
18



01

## Locks, surface mounted

02

### Dead locks



03

#### Article 0212

Iron case

#### Art. accessories (included)

2 x 0301 key

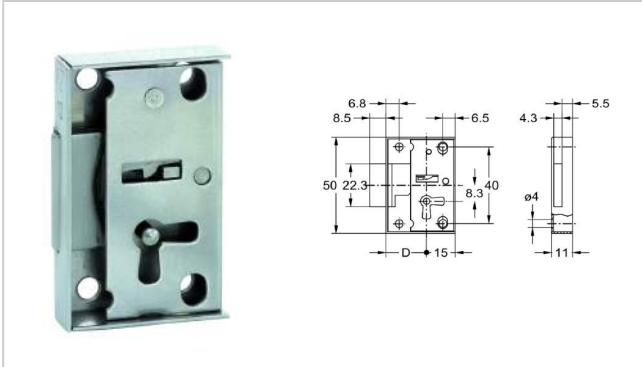
04

#### Additional information

More than 24 different codes possible, on request

05

0212



06

07

08

article-no.	backset D	swing direction	code	pack.	stock
0212.16108:YZ.401-412	16 mm	right/down	YZ 1-12	12 pcs	
0212.16108:YZ.413-424	16 mm	right/down	YZ 13-24	12 pcs	
0212.16208:YZ.401-412	16 mm	left/down	YZ 1-12	12 pcs	
0212.16208:YZ.413-424	16 mm	left/down	YZ 13-24	12 pcs	
0212.21108:YZ.401-412	21 mm	right/down	YZ 1-12	12 pcs	
0212.21108:YZ.413-424	21 mm	right/down	YZ 13-24	12 pcs	
0212.21208:YZ.401-412	21 mm	left/down	YZ 1-12	12 pcs	
0212.21208:YZ.413-424	21 mm	left/down	YZ 13-24	12 pcs	

12

13

14

15

16

17

18

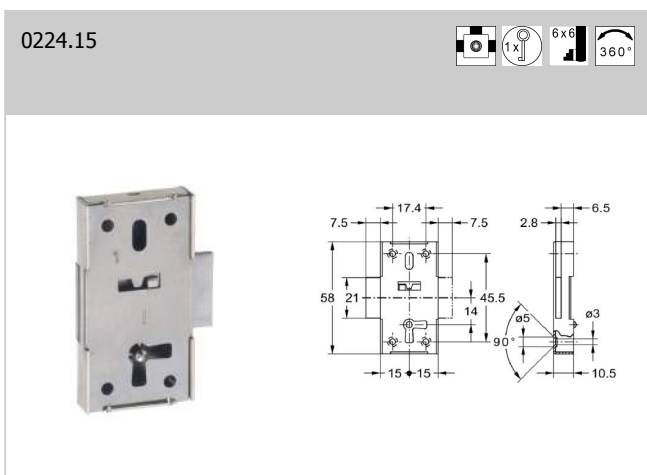
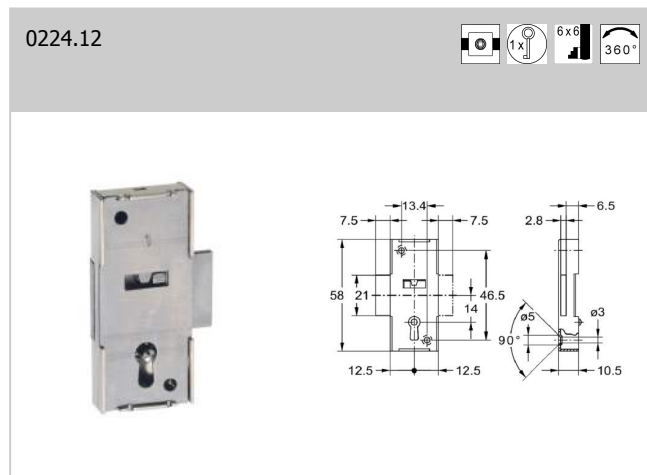
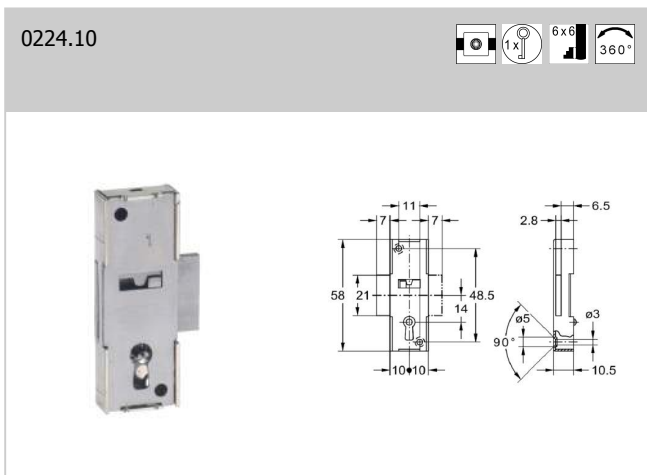
## Dead locks

### Article 0224

Iron case

### Art. accessories (included)

1 x 0305 key



article-no.	backset D	swing direction	finish	pack.	stock
0224.10002	10 mm	right/left	nickel plated	10 pcs	✓
0224.12002	12 mm	right/left	nickel plated	10 pcs	✓
0224.15002	15 mm	right/left/down	nickel plated	10 pcs	✓

- 01
- 02
- 03
- 04
- 05
- 06
- 07
- 08
- 09
- 10
- 11
- 12
- 13
- 14
- 15
- 16
- 17
- 18

01

## Locks, surface mounted

02

### Dead locks



03

#### Article 0228

Iron case

#### Art. accessories (included)

0305 key

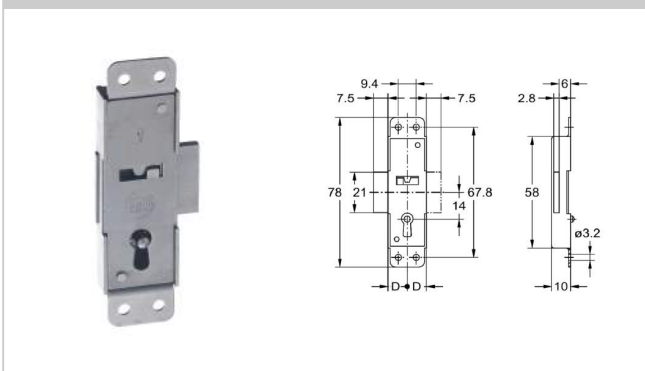
04

#### Additional information

More than 24 different codes possible, on request

05

0228.10

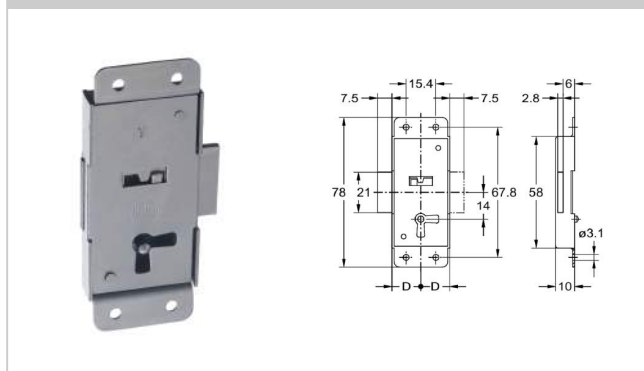


06

07

08

0228.15



09

10

11

12

13

14

15

16

17

18

article-no.	backset D	swing direction	function	code	pack.	stock
0228.100083	10 mm	right/left	1 key, bit 6x6	42010	10 pcs	✓
0228.100084:YZ.401-412	10 mm	right/left	6 Keys, Bit 6x6,5	YZ 1-12	12 pcs	
0228.100084:YZ.413-424	10 mm	right/left	7 Keys, Bit 6x6,5	YZ 13-24	12 pcs	
0228.150083	15 mm	right/left/down	1 key, bit 6x6	42010	10 pcs	✓
0228.150084:YZ.401-412	15 mm	right/left/down	8 Keys, Bit 6x6,5	YZ 1-12	12 pcs	
0228.150084:YZ.413-424	15 mm	right/left/down	9 Keys, Bit 6x6,5	YZ 13-24	12 pcs	

# Locks, surface mounted



## Dead locks

### Article 0240

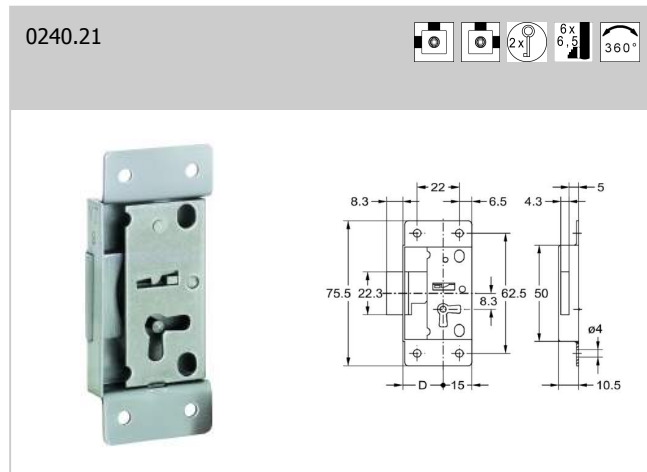
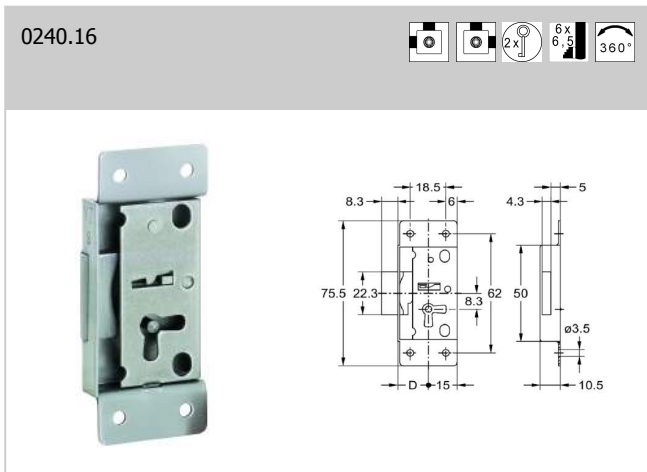
Iron case

### Art. accessories (included)

2 x 0301 key

### Additional information

More than 24 different codes available, on request



article-no.	backset D	swing direction	code	pack.	stock
0240.16108:YZ.401-412	16 mm	right/down	YZ 1-12	12 pcs	
0240.16108:YZ.413-424	16 mm	right/down	YZ 13-24	12 pcs	
0240.16208:YZ.401-412	16 mm	left/down	YZ 1-12	12 pcs	
0240.16208:YZ.413-424	16 mm	left/down	YZ 13-24	12 pcs	
0240.21108:YZ.401-412	21 mm	right/down	YZ 1-12	12 pcs	
0240.21108:YZ.413-424	21 mm	right/down	YZ 13-24	12 pcs	
0240.21208:YZ.401-412	21 mm	left/down	YZ 1-12	12 pcs	
0240.21208:YZ.413-424	21 mm	left/down	YZ 13-24	12 pcs	

- 01
- 02
- 03
- 04
- 05
- 06
- 07
- 08
- 09
- 10
- 11
- 12
- 13
- 14
- 15
- 16
- 17
- 18

01

## Locks, surface mounted

02

## Dead locks



03

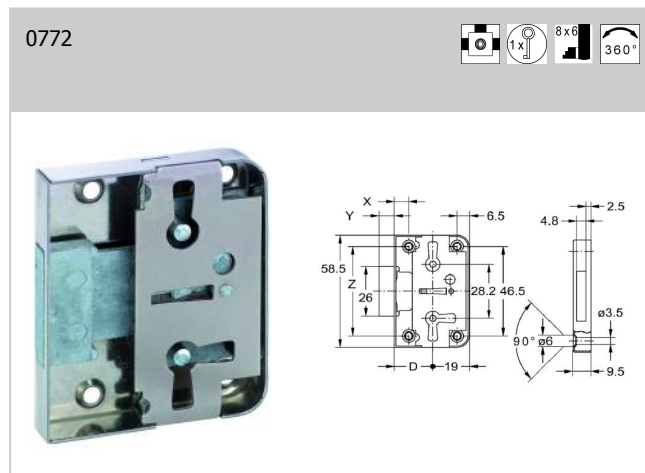
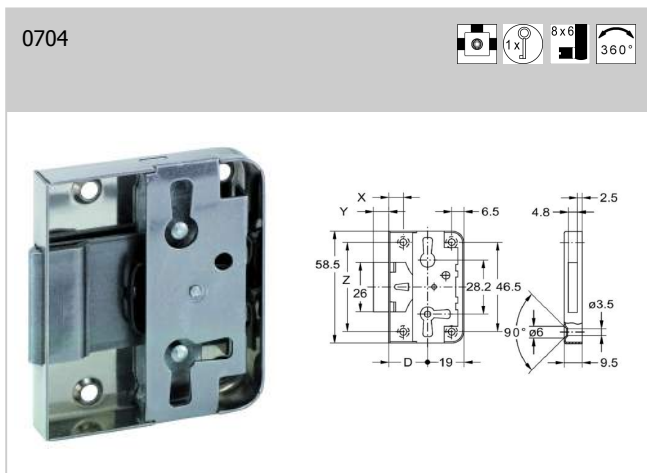
## Article 0704, 0772

Iron case

## Art. accessories (included)

1 x 0305 key

04



05

06

07

08

article-no.	backset D	finish	code	dimension X	dimension Y	dimension Z	pack.	stock
0704.15002:IC.686	15 mm	nickel plated	IC	5 mm	6,5 mm	48 mm	10 pcs	✓
0704.20002:IC.686	20 mm	nickel plated	IC	7,5 mm	9,5 mm	46,5 mm	10 pcs	✓
0704.25002:IC.686	25 mm	nickel plated	IC	12,5 mm	9,5 mm	46,5 mm	10 pcs	✓
0704.30002:IC.686	30 mm	nickel plated	IC	12,5 mm	9,5 mm	46,5 mm	10 pcs	✓
0704.35002:IC.686	35 mm	nickel plated	IC	12,5 mm	9,5 mm	46,5 mm	10 pcs	✓
0704.40002:IC.686	40 mm	nickel plated	IC	12,5 mm	9,5 mm	46,5 mm	10 pcs	✓
0704.45002:IC.686	45 mm	nickel plated	IC	12,5 mm	9,5 mm	46,5 mm	10 pcs	✓
0704.50002:IC.686	50 mm	nickel plated	IC	12,5 mm	9,5 mm	46,5 mm	10 pcs	✓
0772.15002	15 mm	nickel plated	keyed different	5 mm	6,5 mm	48 mm	10 pcs	✓
0772.20002	20 mm	nickel plated	keyed different	7,5 mm	9,5 mm	46,5 mm	10 pcs	✓
0772.25002	25 mm	nickel plated	keyed different	12,5 mm	9,5 mm	46,5 mm	10 pcs	✓
0772.30002	30 mm	nickel plated	keyed different	12,5 mm	9,5 mm	46,5 mm	10 pcs	✓
0772.35002	35 mm	nickel plated	keyed different	12,5 mm	9,5 mm	46,5 mm	10 pcs	✓
0772.40002	40 mm	nickel plated	keyed different	12,5 mm	9,5 mm	46,5 mm	10 pcs	✓
0772.45002	45 mm	nickel plated	keyed different	12,5 mm	9,5 mm	46,5 mm	10 pcs	✓
0772.50002	50 mm	nickel plated	keyed different	12,5 mm	9,5 mm	46,5 mm	10 pcs	✓
0772.60002	60 mm	nickel plated	keyed different	12,5 mm	9,5 mm	46,5 mm	5 pcs	✓
0772.70002	70 mm	nickel plated	keyed different	12,5 mm	9,5 mm	46,5 mm	5 pcs	✓
0772.80002	80 mm	nickel plated	keyed different	12,5 mm	9,5 mm	46,5 mm	5 pcs	✓

15

16

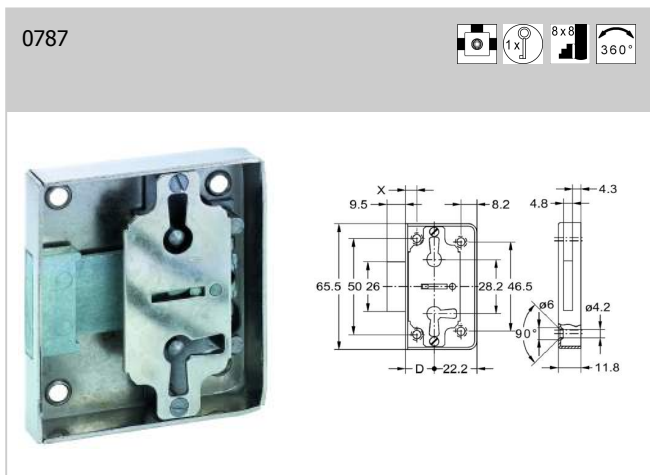
17

18

Dead locks

**Artikel 0787**  
Iron case

**Art. accessories (included)**  
1 x 0305 key



article-no.	backset D	finish	dimension X	pack.	stock
0787.15002	15 mm	nickel plated	6 mm	10 pcs	✓
0787.20002	20 mm	nickel plated	8,5 mm	10 pcs	✓
0787.25002	25 mm	nickel plated	8,5 mm	10 pcs	✓
0787.30002	30 mm	nickel plated	8,5 mm	10 pcs	✓
0787.35002	35 mm	nickel plated	8,5 mm	10 pcs	✓
0787.40002	40 mm	nickel plated	8,5 mm	10 pcs	✓
0787.45002	45 mm	nickel plated	8,5 mm	10 pcs	✓
0787.50002	50 mm	nickel plated	8,5 mm	10 pcs	✓

01  
02  
03  
04  
05  
06  
07  
**08**  
09  
10  
11  
12  
13  
14  
15  
16  
17  
18

## Dead locks

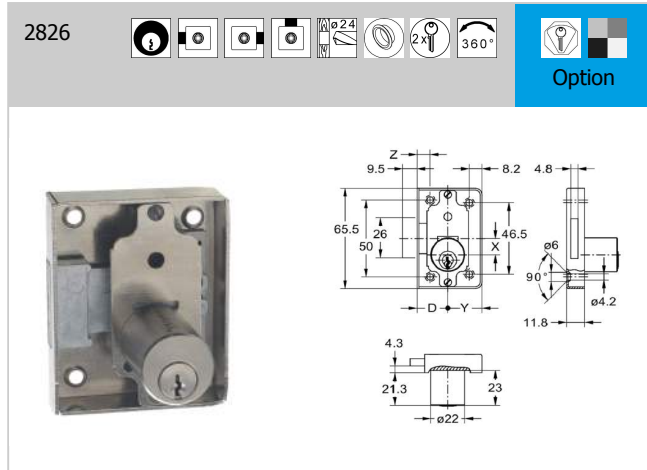
**Article 2826**

Brass cylinder; 5 pin tumblers;

iron case

**Additional information**

Different cylinder types and lengths on page 04.03-04.04, 04.06



article-no.	backset D	swing direction	cylinder finish	finish	dimension X	dimension Y	dimension Z	pack.	stock
2826.15102	15 mm	right	mat nickel plated	nickel plated	10,6 mm	22,2 mm	6 mm	1 pcs	✓
2826.15110	15 mm	right	brass polished	nickel plated	10,6 mm	22,2 mm	6 mm	1 pcs	✓
2826.15202	15 mm	left	mat nickel plated	nickel plated	10,6 mm	22,2 mm	6 mm	1 pcs	✓
2826.15210	15 mm	left	brass polished	nickel plated	10,6 mm	22,2 mm	6 mm	1 pcs	✓
2826.16302	16,5 mm	down	mat nickel plated	nickel plated	14,1 mm	25,7 mm	8,5 mm	1 pcs	
2826.16310	16,5 mm	down	brass polished	nickel plated	14,1 mm	25,7 mm	8,5 mm	1 pcs	
2826.20102	20 mm	right	mat nickel plated	nickel plated	10,6 mm	22,2 mm	8,5 mm	1 pcs	✓
2826.20110	20 mm	right	brass polished	nickel plated	10,6 mm	22,2 mm	8,5 mm	1 pcs	✓
2826.20202	20 mm	left	mat nickel plated	nickel plated	10,6 mm	22,2 mm	8,5 mm	1 pcs	✓
2826.20210	20 mm	left	brass polished	nickel plated	10,6 mm	22,2 mm	8,5 mm	1 pcs	✓
2826.21302	21,5 mm	down	mat nickel plated	nickel plated	14,1 mm	25,7 mm	8,5 mm	1 pcs	
2826.21310	21,5 mm	down	brass polished	nickel plated	14,1 mm	25,7 mm	8,5 mm	1 pcs	
2826.25102	25 mm	right	mat nickel plated	nickel plated	10,6 mm	22,2 mm	8,5 mm	1 pcs	✓
2826.25110	25 mm	right	brass polished	nickel plated	10,6 mm	22,2 mm	8,5 mm	1 pcs	✓
2826.25202	25 mm	left	mat nickel plated	nickel plated	10,6 mm	22,2 mm	8,5 mm	1 pcs	✓
2826.25210	25 mm	left	brass polished	nickel plated	10,6 mm	22,2 mm	8,5 mm	1 pcs	✓
2826.26302	26,5 mm	down	mat nickel plated	nickel plated	14,1 mm	25,7 mm	8,5 mm	1 pcs	
2826.26310	26,5 mm	down	brass polished	nickel plated	14,1 mm	25,7 mm	8,5 mm	1 pcs	
2826.30102	30 mm	right	mat nickel plated	nickel plated	10,6 mm	22,2 mm	8,5 mm	1 pcs	✓
2826.30110	30 mm	right	brass polished	nickel plated	10,6 mm	22,2 mm	8,5 mm	1 pcs	✓





## Dead locks

article-no.	backset D	swing direction	cylinder finish	finish	dimension X	dimension Y	dimension Z	pack.	stock
2826.30202	30 mm	left	mat nickel plated	nickel plated	10,6 mm	22,2 mm	8,5 mm	1 pcs	✓
2826.30210	30 mm	left	brass polished	nickel plated	10,6 mm	22,2 mm	8,5 mm	1 pcs	✓
2826.31302	31,5 mm	down	mat nickel plated	nickel plated	14,1 mm	25,7 mm	8,5 mm	1 pcs	
2826.31310	31,5 mm	down	brass polished	nickel plated	14,1 mm	25,7 mm	8,5 mm	1 pcs	
2826.35102	35 mm	right	mat nickel plated	nickel plated	10,6 mm	22,2 mm	8,5 mm	1 pcs	✓
2826.35110	35 mm	right	brass polished	nickel plated	10,6 mm	22,2 mm	8,5 mm	1 pcs	✓
2826.35202	35 mm	left	mat nickel plated	nickel plated	10,6 mm	22,2 mm	8,5 mm	1 pcs	✓
2826.35210	35 mm	left	brass polished	nickel plated	10,6 mm	22,2 mm	8,5 mm	1 pcs	✓
2826.36302	36,5 mm	down	mat nickel plated	nickel plated	14,1 mm	25,7 mm	8,5 mm	1 pcs	
2826.36310	36,5 mm	down	brass polished	nickel plated	14,1 mm	25,7 mm	8,5 mm	1 pcs	
2826.40102	40 mm	right	mat nickel plated	nickel plated	10,6 mm	22,2 mm	8,5 mm	1 pcs	✓
2826.40110	40 mm	right	brass polished	nickel plated	10,6 mm	22,2 mm	8,5 mm	1 pcs	✓
2826.40202	40 mm	left	mat nickel plated	nickel plated	10,6 mm	22,2 mm	8,5 mm	1 pcs	✓
2826.40210	40 mm	left	brass polished	nickel plated	10,6 mm	22,2 mm	8,5 mm	1 pcs	✓
2826.41302	41,5 mm	down	mat nickel plated	nickel plated	14,1 mm	25,7 mm	8,5 mm	1 pcs	
2826.41310	41,5 mm	down	brass polished	nickel plated	14,1 mm	25,7 mm	8,5 mm	1 pcs	
2826.45102	45 mm	right	mat nickel plated	nickel plated	10,6 mm	22,2 mm	8,5 mm	1 pcs	✓
2826.45110	45 mm	right	brass polished	nickel plated	10,6 mm	22,2 mm	8,5 mm	1 pcs	✓
2826.45202	45 mm	left	mat nickel plated	nickel plated	10,6 mm	22,2 mm	8,5 mm	1 pcs	✓
2826.45210	45 mm	left	brass polished	nickel plated	10,6 mm	22,2 mm	8,5 mm	1 pcs	✓
2826.46302	46,5 mm	down	mat nickel plated	nickel plated	14,1 mm	25,7 mm	8,5 mm	1 pcs	
2826.46310	46,5 mm	down	brass polished	nickel plated	14,1 mm	25,7 mm	8,5 mm	1 pcs	
2826.50102	50 mm	right	mat nickel plated	nickel plated	10,6 mm	22,2 mm	8,5 mm	1 pcs	✓
2826.50110	50 mm	right	brass polished	nickel plated	10,6 mm	22,2 mm	8,5 mm	1 pcs	✓
2826.50202	50 mm	left	mat nickel plated	nickel plated	10,6 mm	22,2 mm	8,5 mm	1 pcs	✓
2826.50210	50 mm	left	brass polished	nickel plated	10,6 mm	22,2 mm	8,5 mm	1 pcs	✓

- 01
- 02
- 03
- 04
- 05
- 06
- 07
- 08
- 09
- 10
- 11
- 12
- 13
- 14
- 15
- 16
- 17
- 18

## Dead locks

**Article 2820**

Metal disc tumbler cylinder; metal case;

right/left hand lock and usable as down and up lock

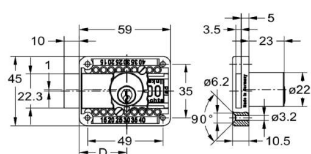
**Article 2828**

Metal cylinder with 5 pin tumblers, metal case;

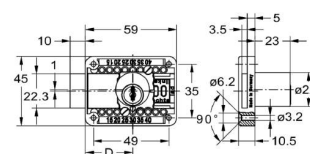
right/left hand lock and usable as down and up lock

**Additional information**

Different cylinder types and lengths on page 04.03-04.04, 04.06

2828  
Riegelschloss

2820



article-no.	cylinder finish	finish	code	pack.	stock
2820.00002	nickel plated	nickel plated	keyed different	1 pcs	✓
2820.00002:BN.0101	nickel plated	nickel plated	BN0101	1 pcs	✓
2828.00002	mat nickel plated	nickel plated	keyed different	1 pcs	✓
2828.00002:BN.0101	mat nickel plated	nickel plated	BN0101	1 pcs	✓
2828.00002:BN.0102	mat nickel plated	nickel plated	BN0102	1 pcs	✓
2828.00002:BN.0103	mat nickel plated	nickel plated	BN0103	1 pcs	✓
2828.00002:BN.0104	mat nickel plated	nickel plated	BN0104	1 pcs	✓
2828.00002:BN.0105	mat nickel plated	nickel plated	BN0105	1 pcs	✓
2828.00002:BN.0106	mat nickel plated	nickel plated	BN0106	1 pcs	✓
2828.00002:BN.0107	mat nickel plated	nickel plated	BN0107	1 pcs	✓
2828.00002:BN.0108	mat nickel plated	nickel plated	BN0108	1 pcs	✓
2828.00002:BN.0109	mat nickel plated	nickel plated	BN0109	1 pcs	✓
2828.00002:BN.0110	mat nickel plated	nickel plated	BN0110	1 pcs	✓
2828.00010	brass polished	nickel plated	keyed different	1 pcs	✓
2828.00010:BN.0101	brass polished	nickel plated	BN0101	1 pcs	✓
2828.00010:BN.0102	brass polished	nickel plated	BN0102	1 pcs	✓
2828.00010:BN.0103	brass polished	nickel plated	BN0103	1 pcs	✓
2828.00010:BN.0104	brass polished	nickel plated	BN0104	1 pcs	✓

## Locks, surface mounted



### Dead locks

article-no.	cylinder finish	finish	code	pack.	stock
2828.00010:BN.0105	brass polished	nickel plated	BN0105	1 pcs	✓
2828.00010:BN.0106	brass polished	nickel plated	BN0106	1 pcs	✓
2828.00010:BN.0107	brass polished	nickel plated	BN0107	1 pcs	✓
2828.00010:BN.0108	brass polished	nickel plated	BN0108	1 pcs	✓
2828.00010:BN.0109	brass polished	nickel plated	BN0109	1 pcs	✓
2828.00010:BN.0110	brass polished	nickel plated	BN0110	1 pcs	✓

01

02

03

04

05

06

07

08

09

10

11

12

13

14

15

16

17

18

01  
02  
03  
04  
05  
06  
07  
08  
09  
10  
11  
12  
13  
14  
15  
16  
17  
18

# Locks, surface mounted



## Dead locks

### Article 2032

Iron case; up to 450 different codes

### Article 2795

Iron case; up to 750 different codes

### Additional information

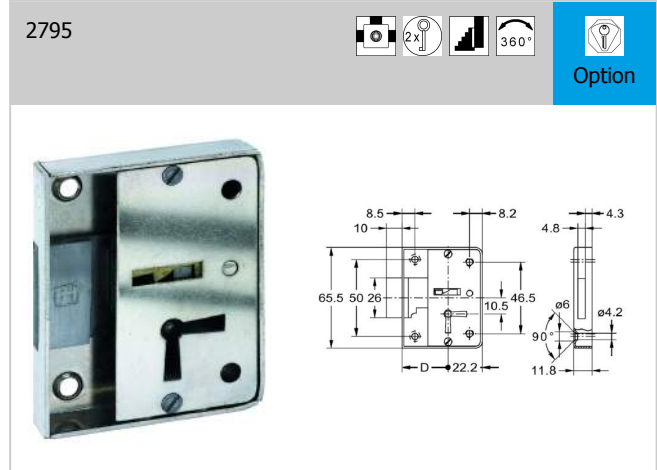
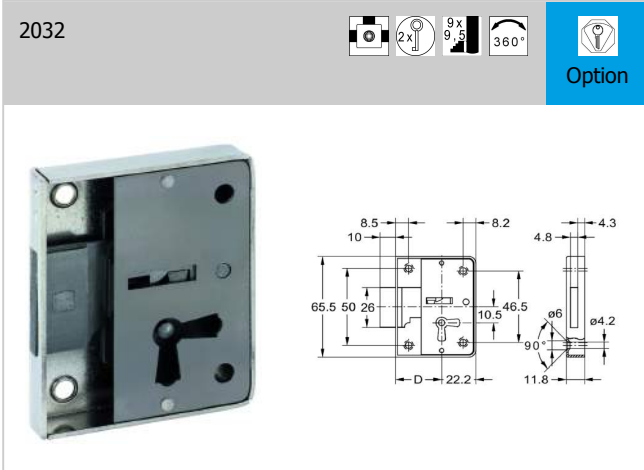
Suitable for masterkey system from 25 mm backset on

### 2032 accessories (included)

2 x 0301 key

### 2795 accessories (included)

2 x 0500 key



article-no.	backset D	swing direction	finish	pack.	stock
2032.20102	20 mm	right/down	nickel plated	10 pcs	
2032.20202	20 mm	left/down	nickel plated	10 pcs	
2032.25102	25 mm	right/down	nickel plated	10 pcs	
2032.25202	25 mm	left/down	nickel plated	10 pcs	
2032.30102	30 mm	right/down	nickel plated	10 pcs	
2032.30202	30 mm	left/down	nickel plated	10 pcs	
2032.35102	35 mm	right/down	nickel plated	10 pcs	
2032.35202	35 mm	left/down	nickel plated	10 pcs	
2032.40102	40 mm	right/down	nickel plated	10 pcs	
2032.40202	40 mm	left/down	nickel plated	10 pcs	
2795.25102	25 mm	right/down	nickel plated	1 pcs	
2795.25202	25 mm	left/down	nickel plated	1 pcs	
2795.30102	30 mm	right/down	nickel plated	1 pcs	
2795.30202	30 mm	left/down	nickel plated	1 pcs	
2795.40102	40 mm	right/down	nickel plated	1 pcs	
2795.40202	40 mm	left/down	nickel plated	1 pcs	

Dead locks

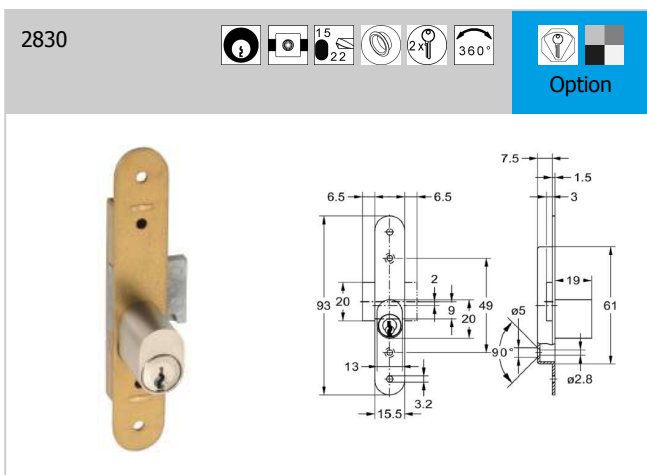
**Article 2830**

Brass cylinder; 5 pin tumblers;

brass case

**Additional information**

Different cylinder lengths on page 04.03-04.04, 04.06



article-no.	cylinder finish	width of lock	pack.	stock
2830.15002	mat nickel plated	15,5 mm	1 pcs	

- 01
- 02
- 03
- 04
- 05
- 06
- 07
- 08
- 09
- 10
- 11
- 12
- 13
- 14
- 15
- 16
- 17
- 18

**Article 1591**

Iron nickel plated case; with latch

**Art. accessories (excluded)**

1 x 2523 Strike plate

page 16.27

1 x 2712 Strike plate

page 16.25

**Additional information**

Knobs on chapter 14

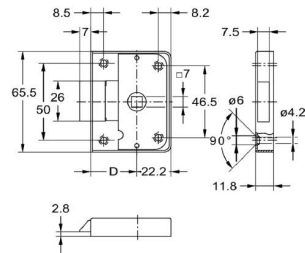
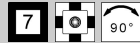
**Article 2822**

Brass cylinder; 5 pin tumblers; iron nickel plated case; with latch

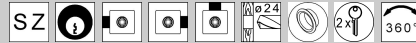
**Additional information**

Different cylinder forms and lengths on page 04.03-04.04, 04.06

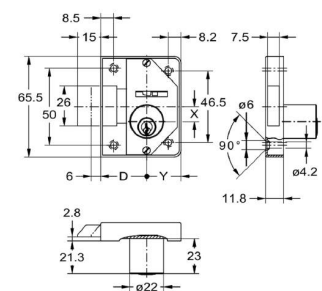
1591



2822



Option



article-no.	backset D	swing direction	cylinder finish	finish	dimension X	dimension Y	pack.	stock
1591.30002	30 mm	right/left/down/up		nickel plated			10 pcs	✓
1591.40002	40 mm	right/left/down/up		nickel plated			10 pcs	✓
2822.26302	26,5 mm	down	mat nickel plated	nickel plated	13 mm	25,7 mm	1 pcs	
2822.30102	30 mm	right	mat nickel plated	nickel plated	9,5 mm	22,2 mm	1 pcs	
2822.30202	30 mm	left	mat nickel plated	nickel plated	9,5 mm	22,2 mm	1 pcs	
2822.36302	36,5 mm	down	mat nickel plated	nickel plated	13 mm	25,7 mm	1 pcs	
2822.40102	40 mm	right	mat nickel plated	nickel plated	9,5 mm	22,2 mm	1 pcs	
2822.40202	40 mm	left	mat nickel plated	nickel plated	9,5 mm	22,2 mm	1 pcs	

## Dead locks

### Article 3001

Metal disc tumbler cylinder; metal housing; adjustabel; factory setting is right hand

### Article 3013

Metal cylinder with 5 pin tumblers; metal housing; adjustable from right hand to left hand and from left hand to right hand

### Additional information

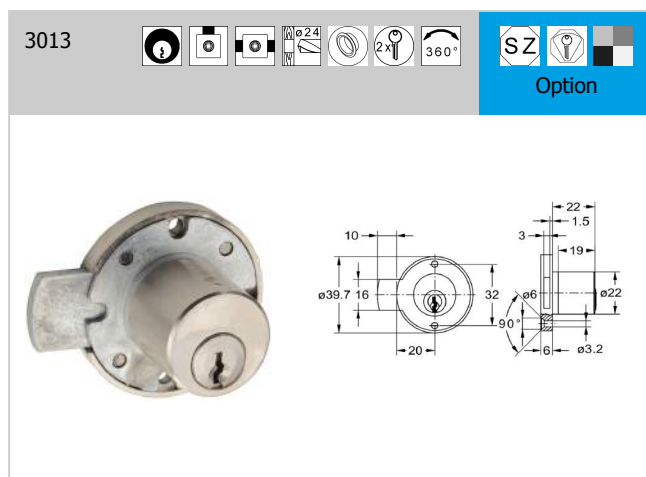
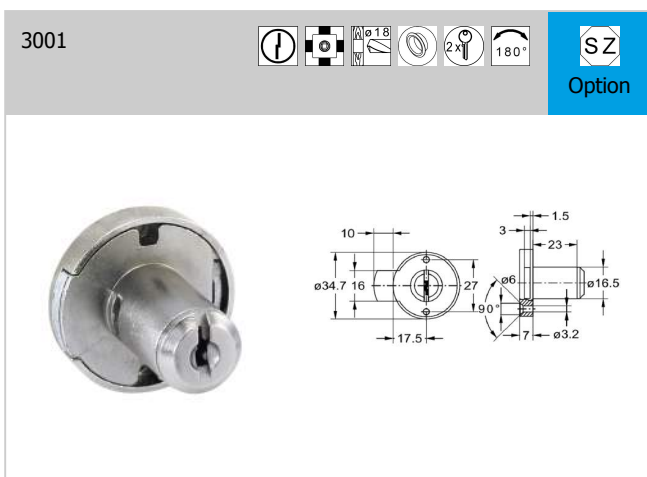
Compatible central lockings on page 13.13

### 3001 accessories (excluded)

3005 Levelling piece page 16.15

### 3013 accessories (excluded)

3006 Levelling piece page 16.15



article-no.	backset	swing direction	cylinder finish	code	pack.	stock
3001.17002	17,5 mm	right/left/down/up	nickel plated	keyed different	5 pcs	✓
3001.17002:BN.0101	17,5 mm	right/left/down/up	nickel plated	BN0101	5 pcs	✓
3001.17002:BN.0102	17,5 mm	right/left/down/up	nickel plated	BN0102	5 pcs	✓
3001.17002:BN.0103	17,5 mm	right/left/down/up	nickel plated	BN0103	5 pcs	✓
3001.17002:BN.0104	17,5 mm	right/left/down/up	nickel plated	BN0104	5 pcs	✓
3001.17002:BN.0105	17,5 mm	right/left/down/up	nickel plated	BN0105	5 pcs	✓
3001.17002:BN.0106	17,5 mm	right/left/down/up	nickel plated	BN0106	5 pcs	✓
3001.17002:BN.0107	17,5 mm	right/left/down/up	nickel plated	BN0107	5 pcs	✓
3001.17002:BN.0108	17,5 mm	right/left/down/up	nickel plated	BN0108	5 pcs	✓
3001.17002:BN.0109	17,5 mm	right/left/down/up	nickel plated	BN0109	5 pcs	✓
3001.17002:BN.0110	17,5 mm	right/left/down/up	nickel plated	BN0110	5 pcs	✓
3013.20102	20 mm	right	mat nickel plated	keyed different	1 pcs	
3013.20110	20 mm	right	brass polished	keyed different	1 pcs	
3013.20202	20 mm	left	mat nickel plated	keyed different	1 pcs	
3013.20210	20 mm	left	brass polished	keyed different	1 pcs	
3013.20302	20 mm	down	mat nickel plated	keyed different	1 pcs	
3013.20310	20 mm	down	brass polished	keyed different	1 pcs	

01

## Locks, surface mounted

02

## Dead locks



03

**Article 0857**

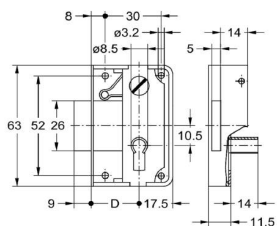
Case grinded iron; steel pipe

**Art. accessories (included)**

1 x 0502 key

04

0857.25



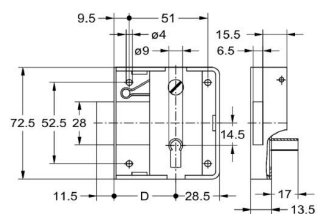
05

06

07

08

0857.40



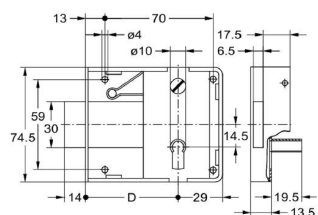
09

10

11

12

0857.60



13

14

15

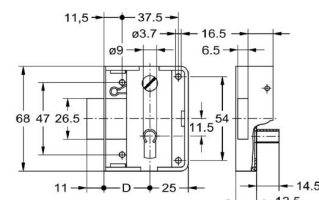
16

17

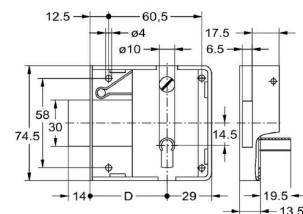
18

08.16

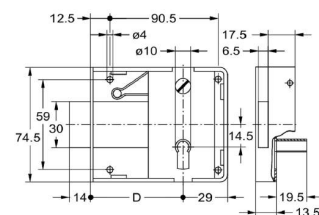
0857.30



0857.50

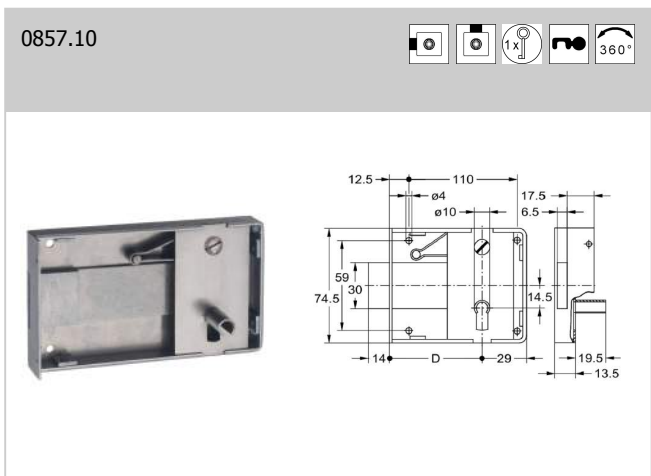


0857.80





Dead locks



article-no.	backset D	swing direction	pack.	stock
0857.25108	25 mm	right	5 pcs	✓
0857.25208	25 mm	left	5 pcs	✓
0857.30108	30 mm	right	5 pcs	✓
0857.30208	30 mm	left	5 pcs	✓
0857.40108	40 mm	right	5 pcs	✓
0857.40208	40 mm	left	5 pcs	✓
0857.50108	50 mm	right	5 pcs	✓
0857.50208	50 mm	left	5 pcs	✓
0857.60108	60 mm	right	5 pcs	✓
0857.60208	60 mm	left	5 pcs	✓
0857.80108	80 mm	right	5 pcs	
0857.80308	80 mm	down	5 pcs	
0857.10108	100 mm	right	5 pcs	
0857.10308	100 mm	down	5 pcs	

01  
02  
03  
04  
05  
06  
07  
**08**  
09  
10  
11  
12  
13  
14  
15  
16  
17  
18

